



Spare Parts Catalog

6 S 1000 TO
KAMAZ PUBLIC JOINT STOCK COMPANY

Material number: 1346.002.062



Pos.	Information	Amendment number
001	Use case -----	
002	Customer KAMAZ PUBLIC JOINT STOCK COMPANY	
003	City Naberezhnye Chelny	
004	DUNS 64-493-2113	
005	Vehicle / Apparatus -----	
006	Sales Name KAMAZ-4308	
007	Manufacturer KAMAZ PUBLIC JOINT STOCK COMPANY	
008	Engineering Name	
009	Product Use TRUCK	
010	Vehicle/Hardware Type ROAD TRACTOR	
011	SOP	
012	Engine	
013	Sales Designation	
014	Manufacturer Cummins Engine Co.	
015	Eng.Displ.	
016	Cylinder	
017	Nom. power 136 kW	
018	RPM at nom. power 2500 1/min	
019	Nom. torque 700 Nm	
020	RPM at nom. torque 1500 1/min	
021	Classification use case -----	
022	DESIGNATION, CLUTCH MF395	
023	MANUFACTURER, CLUTCH ZF-SACHS	
024	TOTAL NUMBER OF GEARS 4	
025	NUMBER OF DRIVING GEARS 4	
026	DYNAMIC TYRE RADIUS 407 mm	
027	REAR AXLE RATIO 4,78	
031	PERMISS.GROSS VEHICLE WEIGHT 11 t	
032	PERMISS.GROSS COMBIN.WEIGHT 19 t	
033	APPROVAL NOTE 1 FIRST FITTING CHECK CARR.OUT	



Pos.	Information	Amendment number
035	Product description -----	
036	INSTALLATION POS TRANSMISSION HORIZONTAL LEFT	
037	TRANSMISSION ATTACHMENT FLANGE-MOUNTED	
038	RATIO, BOTTOM GEAR 6,75	
039	RATIO, TOP GEAR ,78	
040	SET OF RATIOS SG	
041	RATIO, 1ST GEAR 6,75	
042	RATIO, 2ND GEAR 3,6	
043	RATIO, 3RD GEAR 2,13	
044	RATIO, 4TH GEAR 1,39	
045	RATIO, 5TH GEAR 1	
046	RATIO, 6TH GEAR ,78	
047	RATIO, 1ST GEAR REVERSE 6,06	
048	DESIGN, SHIFT SYSTEM TURNING SHAFT	
049	POSITION, GEAR SHIFT SYSTEM HORIZONTAL LEFT	
052	DESIGN, SEPARATING CLUTCH FULL-SYNCHRONIZED	
053	REFERENCE LENGTH INPUT SHAFT 107 mm	
054	STANDARD TYPE INPUT SHAFT SAE	
055	NUMBER OF WEDGES INPUT SHAFT 10	
056	VERSION OF INPUT SHAFT FORM C	
057	DIAMETER, JOURNAL, INPUT SHAFT 25 mm	
058	NOMINAL DIAMETER INPUT SHAFT 1,75 in	
059	TYPE FIT SPIGOTS INPUT SHAFT F7	
060	DIAMETER SHAFT OF INPUT SHAFT 44 mm	
061	BUSH VARIANT INPUT SHAFT WITHOUT GROOVE	
065	DIAMETER, RELEASE FLANGE 57 mm	
066	DESIGN BEARING OUTPUT STANDARD SUSPENSION	
067	OUTER DIA. OUTPUT FLANGE RA 155.000 mm	
069	NO.OF BORES OUTPUT FLANGE HA1 4	
070	BORE DIA. OUTPUT FLANGE RA 13 mm	



Pos.	Information	Amendment number
072	REF. LENGTH OUTPUT FLANGE RA 709 mm	
076	DIMENSION SHIFT TURRET DIST. 244 mm	
077	MEAS. LOC. SHIFT TURRET DIST. SHIFT LEVER OUTSIDE EDGE	
083	RADIUS 1 SHIFT LEVER 65 mm	
086	LEVER POSITION SHIFTING OUTPUT C	
087	SPRING ARRANGEMENT Q10	
088	TOOLING SET OF SPRINGS W020	
090	SPRING FORCE DETENT PLUNGER RG 160.000 N	
092	SELECTION PATTERN VARIANT GEAR SHIFT PATTERN 1	
093	SWITCH, REVERSE GEAR y	
094	DESIGN, RG (REV.GEAR) SWITCH CLOSING	
095	NOTE ON SWITCH, REVERSE GEAR G.SHIFT SHAFT	
096	PROT. CAP SWITCH, REVERSE GEAR y	
097	DESIGN, CONNECTION, RG SWITCH DIN BAYONET	
098	SWITCH, NEUTRAL GEAR y	
099	DESIGN,NG(NEUTRAL GEAR)SWITCH OPENING SWITCH	
100	PROT.CAP SWITCH, NEUTRAL GEAR y	
101	REF.LENGTH,RELEASE BEAR.FLAN 15 mm	
102	DESIGN, CONNECTION, NG SWITCH DIN BAYONET	
108	VER. TRANSMISSION VENTILATION BREATHER	
110	DESIGN,CONN., CLUTCH HOUSING SAE 2	
111	AUSFUEHRUNG KUPPLUNGSGEHAEUSE INTEGRATED	
112	TYPE OF RELEASE MECHANISM	
113	VERSION OF CLUTCH CYLINDER	
114	AUSF BETAETIGUNG KUPPLUNG	
115	EINBAUMASS KUPPLUNGSGEHAEUSE 112 mm	
116	ASSEMBLY POS. CLUTCH CYLINDER 6	
118	DESIGN RELEASE BEARING WITHOUT GROOVE	
119	WRENCH SIZE, RELEASE FORK 75 mm	
122	NO.OF PULSES PULSE SENSOR SFI H68 6 IMP/U	



Pos.	Information	Amendment number
124	DESIGN PULSE SENSOR SFI H68 WITH	
126	PROT.CAP PULSE SENSOR SFI H68 y	
127	DESIG,CONN,PULSE SENS. SFI H68 DIN BAYONET	
131	OIL CAPACITY, GEARBOX 9.300 dm3	
133	OIL GRADE PERMISSIBLE ACC. TO TE-ML02	
135	COLOR JET BLACK	
136	COLOUR CLASSIFICATION ACC. TO RAL 9005	
137	PAINTING, ZF STANDARD 915 W	
138	CODING OUTER CONSERVATION KA1	
139	SCOPE OUTER CONSERVATION T	
140	CODING INNER CONSERVATION KI2	
141	CODIERUNG STOPFENANZAHL S11	
142	CONSERVATION SPECIFICATION ZFN 916	
143	Documents -----	
144	GEARBOX Assembly 1346.002.008	
145	GEARBOX Drawing 1346.002.008	
146	SET OF SPRINGS Text-document 1346.150.008	
147	TURN.SHAFT CONT Drawing 1346.174.002	
148	TURN.SHAFT CONT Assembly 1346.174.002	
149	6-GANG-GETRIEBE Drawing 1346.602.009	
150	1346.001.005 Drawing 1346.001.005	

Assembly group overview

Page 1 from 1

Material number: 1346.002.062

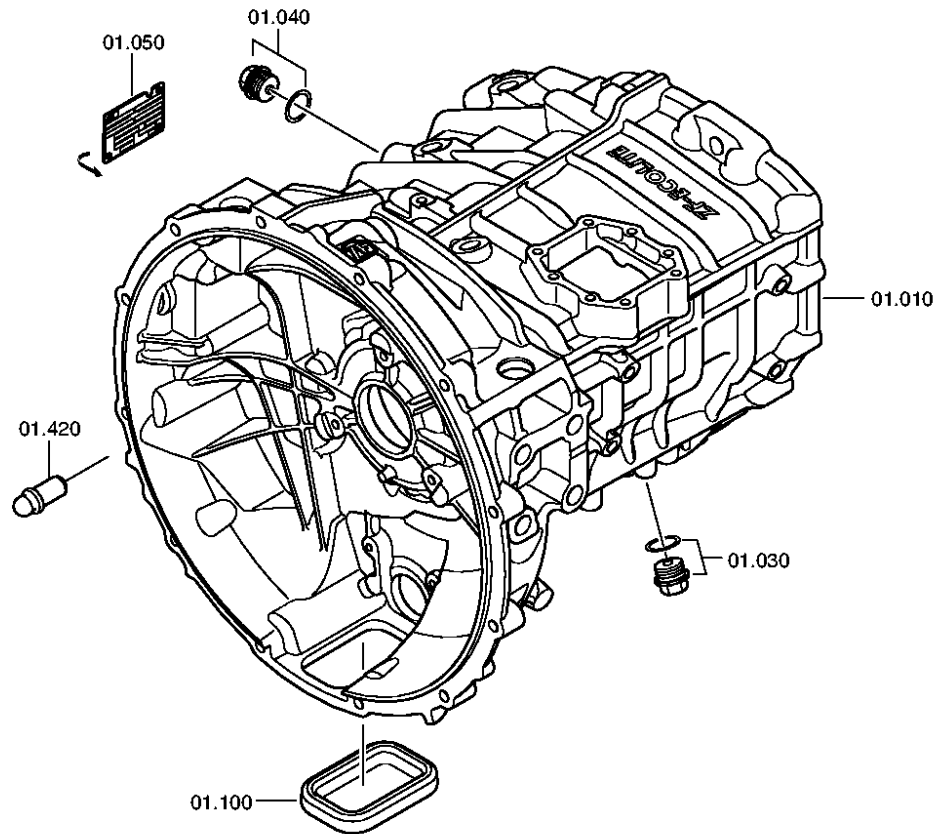
6 S 1000 TO / KAMAZ PUBLIC JOINT STOCK COMPANY

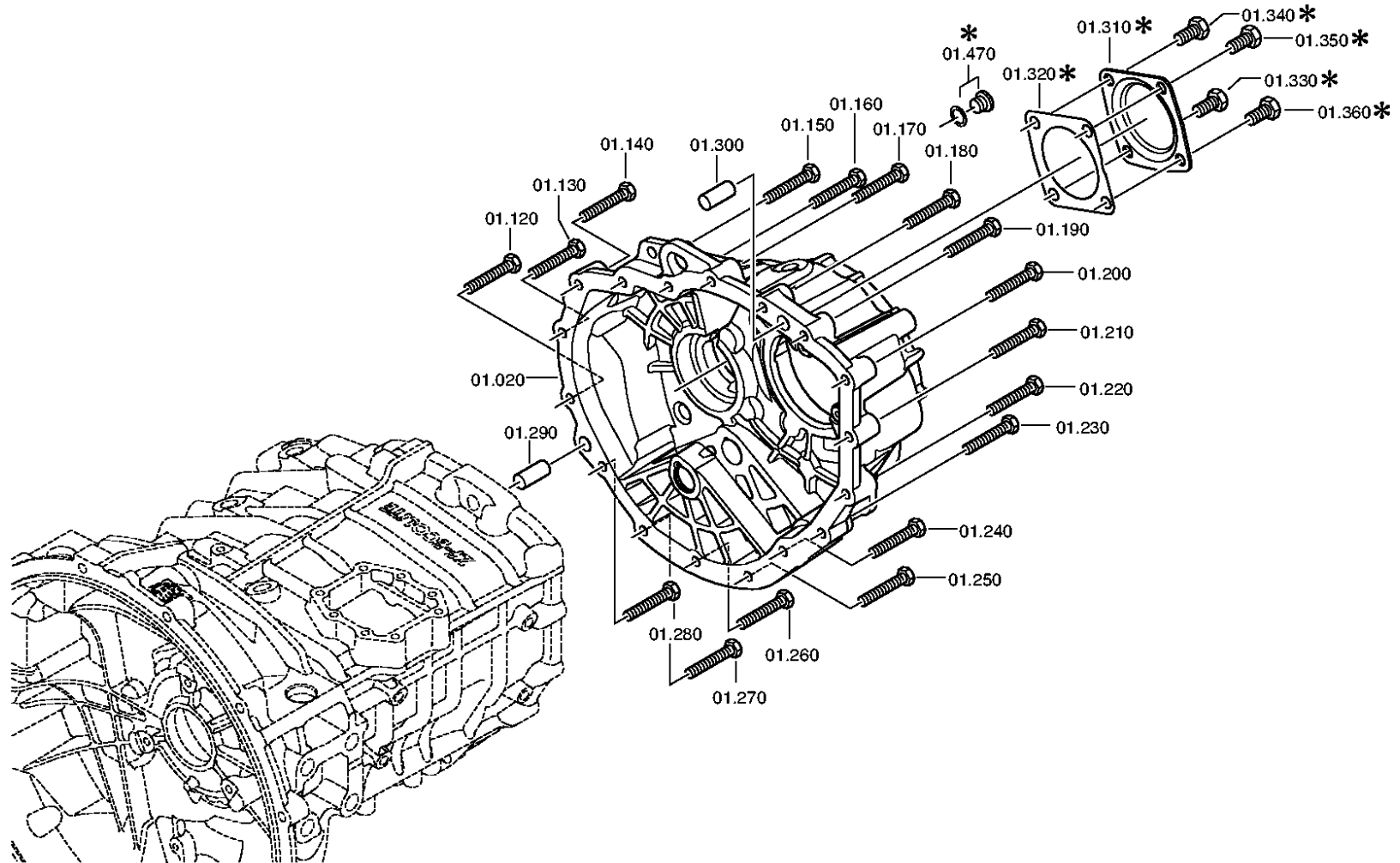


Graphics	Pos.	Material number	Name	VKF	Amend. no.	Amend. start	Prod. no.	Material feature / tech. info.	ID
150.01.08-1	110	1346.101.022	CLUTCH HOUSING	1		00.00.0000		LL*6S1000TO*GD	3
150.01.08-1	120	1346.101.800	OUTPUT HOUSING	1		00.00.0000		LL *6S1000TO*6S800TD	3
150.02.01-1	130	1346.102.008	INPUT SHAFT	1		00.00.0000		I= 6,75*L=107*SAE10C 1 3/4*OD*6S1000TO*L=299,5*LAGEROPTIM.	3
150.02.01-1	140	1346.102.007	GUIDE TUBE	1		00.00.0000		L=107*D=57*1 3/4*LAGEROPTI*L=15	3
150.02.01-1	150	1346.102.801	GUIDE TUBE	1		00.00.0000		E2410*2408	3
150.02.01-1	160	1346.102.800	INPUT SHAFT	1		00.00.0000		6S1000TO*6S800TD	3
150.03.01-1	920	1346.103.001	LAYSHAFT	1		00.00.0000		I=6,75-0,78*6S1000TO	3
150.04.01-1	210	1346.104.800	MAIN SHAFT	1		00.00.0000		AD=155*LZ=4*D=13,0 *E24*L=112,5	3
150.04.01-1	910	1346.104.001	MAIN SHAFT	1		00.00.0000		I=6,75-0,78*6S1000 TO	3
150.05.01-1	220	1346.105.001	RETURN	1		00.00.0000		6S1000TO*6S800TD	3
150.06.01-1	230	1346.106.003	GEAR SHIFT SYSTEM	1		00.00.0000		OD*6S 1000TO*NEUE SCHUBST.	3
150.09.04-1	10	1346.109.006	GEAR SHIFT HOUSING	1		00.00.0000		DW-LI*MGS	3
150.10.01-1	270	1346.174.800	SHIFT TURRET	1		00.00.0000		ANBAUTEILE*VB	3
150.18.01-1	300	1346.108.002	SPEEDOMETER COVER	1		00.00.0000		6S 1000TO*6S 800TD*M.GEBER*BAJONETT	3
150.18.01-1	310	1346.108.800	SPEEDOMETER COVER	1		00.00.0000		6S 1000TO*6S 800TD	3
	90	1346.150.023	SET OF SPRINGS	1		00.00.0000		DW-LI*Q10*W020	3
150.52.05-1	40	1346.152.009	LEVER	1		00.00.0000		DW-LI*MGS *R=65*A23*FZO*MASSE	3
150.55.03-1	30	1346.155.005	GEAR SHIFT SHAFT	1		00.00.0000		DW-LI*MGS *L=221/217	3
150.58.01-1	100	1346.158.004	DETENT	1		00.00.0000		DW-LI/RE*MGS *138N	3
150.59.03-1	80	1346.159.018	SWITCH	1		00.00.0000		NG OEFF*RG SCHL*MGS *RIEGELFEDER 160N	3
150.93.42-1	330	6060.168.009	CLUTCH RELEASE DEVICE	1		00.00.0000		E24*SAE2*O.AUSRUECKER	3

VKF Incidence factor

ID Identification (output code)







Pos.	Material number	Name	VKF	Amend. no.	Amend. start	Prod. no.	Material feature / tech. info.	OTK	External material no.	ID	Weight	SP
10	1346.301.030	CLUTCH HOUSING	1		00.00.0000					5	0,000	
20	1346.301.081	OUTPUT HOUSING	1		00.00.0000		E2410			5	0,000	
30	---	SCREW PLUG	1		00.00.0000		M24X1,5 * 60N.M* DICHRING			3	0,000	
---	0736.305.070	SCREW PLUG	1		00.00.0000		ENTHALT.IN 0736 305 041(2)			5	0,000	
---	0730.008.637	SEALING RING	1		00.00.0000		A24X29			5	0,000	
40	---	SCREW PLUG	1		00.00.0000		M24X1,5 * 60N.M* DICHRING			3	0,000	
---	0636.304.049	SCREW PLUG	1		00.00.0000		M24X1,5			5	0,094	
---	0730.008.637	SEALING RING	1		00.00.0000		A24X29			5	0,000	
50	0730.365.260	TYPE PLATE	1		00.00.0000					5	0,000	
100	1315.301.230	PROTECTION CAP	1		00.00.0000					5	0,000	
120	---	HEXAGON BOLT	1		00.00.0000		M10X60Z1 DIN933A/10. 9A3CSM			3	0,000	
---	0636.015.601	HEXAGON BOLT	1		00.00.0000		M10X60			5	0,000	
130	---	HEXAGON BOLT	1		00.00.0000		M10X60Z1 DIN933A/10. 9A3CSM			3	0,000	
---	0636.015.601	HEXAGON BOLT	1		00.00.0000		M10X60			5	0,000	
140	---	HEXAGON BOLT	1		00.00.0000		M10X60Z1 DIN933A/10. 9A3CSM			3	0,000	
---	0636.015.601	HEXAGON BOLT	1		00.00.0000		M10X60			5	0,000	
150	---	HEXAGON BOLT	1		00.00.0000		M10X60Z1 DIN933A/10. 9A3CSM			3	0,000	
---	0636.015.601	HEXAGON BOLT	1		00.00.0000		M10X60			5	0,000	
160	---	HEXAGON BOLT	1		00.00.0000		M10X60Z1 DIN933A/10. 9A3CSM			3	0,000	
---	0636.015.601	HEXAGON BOLT	1		00.00.0000		M10X60			5	0,000	
170	---	HEXAGON BOLT	1		00.00.0000		M10X60Z1 DIN933A/10. 9A3CSM			3	0,000	
---	0636.015.601	HEXAGON BOLT	1		00.00.0000		M10X60			5	0,000	
180	---	HEXAGON BOLT	1		00.00.0000		M10X60Z1 DIN933A/10. 9A3CSM			3	0,000	
---	0636.015.601	HEXAGON BOLT	1		00.00.0000		M10X60			5	0,000	
190	---	HEXAGON BOLT	1		00.00.0000		M10X60Z1 DIN933A/10. 9A3CSM			3	0,000	

VKF Incidence factor

OTK Optional technical kit

ID Identification (output code)

SP Supplier plant



Pos.	Material number	Name	VKF	Amend. no.	Amend. start	Prod. no.	Material feature / tech. info.	OTK	External material no.	ID	Weight	SP
---	0636.015.601	HEXAGON BOLT	1		00.00.0000		M10X60			5	0,000	
200	---	HEXAGON BOLT	1		00.00.0000		M10X60Z1 DIN933A/10. 9A3CSM			3	0,000	
---	0636.015.601	HEXAGON BOLT	1		00.00.0000		M10X60			5	0,000	
210	---	HEXAGON BOLT	1		00.00.0000		M10X60Z1 DIN933A/10. 9A3CSM			3	0,000	
---	0636.015.601	HEXAGON BOLT	1		00.00.0000		M10X60			5	0,000	
220	---	HEXAGON BOLT	1		00.00.0000		M10X60Z1 DIN933A/10. 9A3CSM			3	0,000	
---	0636.015.601	HEXAGON BOLT	1		00.00.0000		M10X60			5	0,000	
230	---	HEXAGON BOLT	1		00.00.0000		M10X60Z1 DIN933A/10. 9A3CSM			3	0,000	
---	0636.015.601	HEXAGON BOLT	1		00.00.0000		M10X60			5	0,000	
240	---	HEXAGON BOLT	1		00.00.0000		M10X60Z1 DIN933A/10. 9A3CSM			3	0,000	
---	0636.015.601	HEXAGON BOLT	1		00.00.0000		M10X60			5	0,000	
250	---	HEXAGON BOLT	1		00.00.0000		M10X60Z1 DIN933A/10. 9A3CSM			3	0,000	
---	0636.015.601	HEXAGON BOLT	1		00.00.0000		M10X60			5	0,000	
260	---	HEXAGON BOLT	1		00.00.0000		M10X60Z1 DIN933A/10. 9A3CSM			3	0,000	
---	0636.015.601	HEXAGON BOLT	1		00.00.0000		M10X60			5	0,000	
270	---	HEXAGON BOLT	1		00.00.0000		M10X60Z1 DIN933A/10. 9A3CSM			3	0,000	
---	0636.015.601	HEXAGON BOLT	1		00.00.0000		M10X60			5	0,000	
280	---	HEXAGON BOLT	1		00.00.0000		M10X60Z1 DIN933A/10. 9A3CSM			3	0,000	
---	0636.015.601	HEXAGON BOLT	1		00.00.0000		M10X60			5	0,000	
290	0631.306.229	CYLINDRICAL PIN	1		00.00.0000		16X36			5	0,000	
300	0631.306.229	CYLINDRICAL PIN	1		00.00.0000		16X36			5	0,000	
310	1304.301.034	COVER	1		00.00.0000					5	0,000	
320	1238.308.201	GASKET	1		00.00.0000		ENTHALT.IN 1238 308 202(2)			5	0,000	
330	---	HEXAGON BOLT	1		00.00.0000		M12X25 DIN933ALT/8.8 A3C			3	0,000	
---	0636.016.178	HEXAGON BOLT	1		00.00.0000		M12X25			5	0,035	

VKF Incidence factor

OTK Optional technical kit

ID Identification (output code)

SP Supplier plant



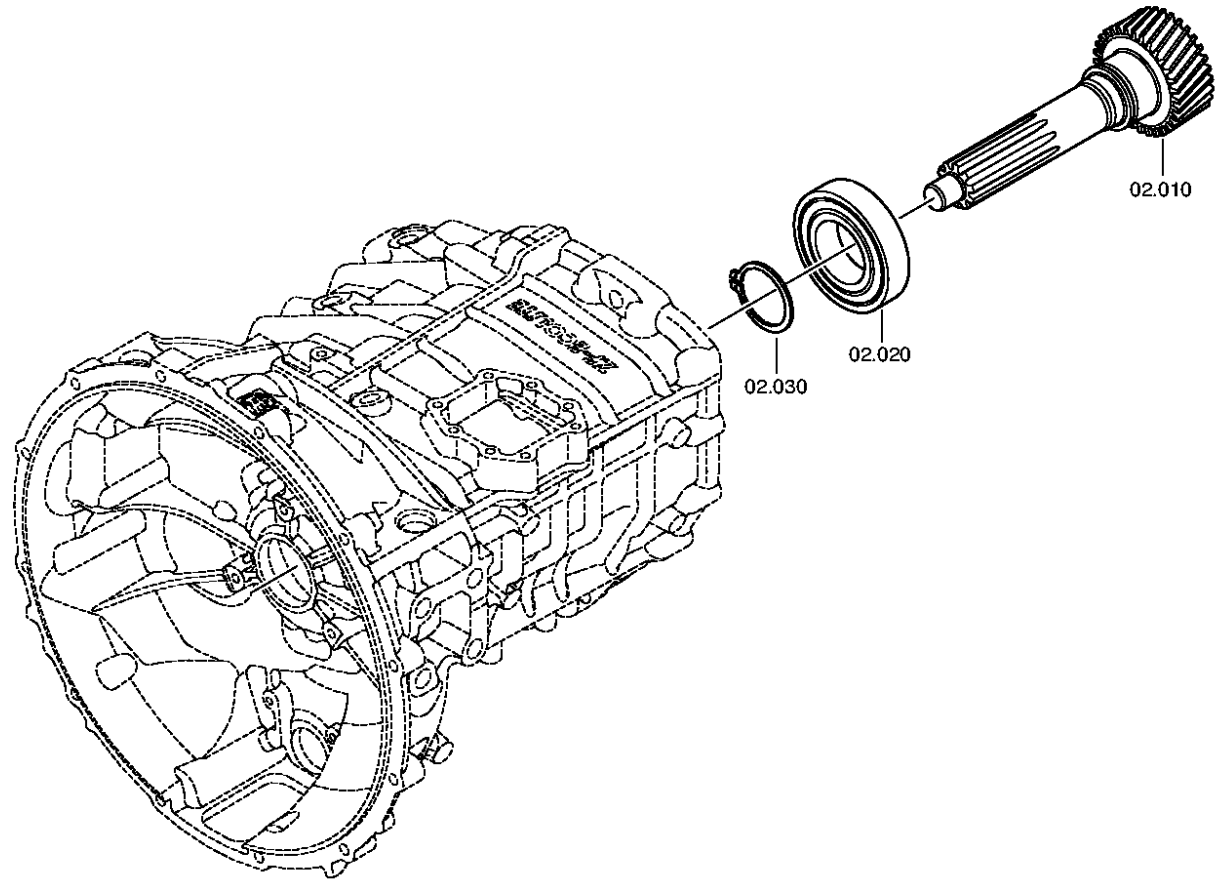
Pos.	Material number	Name	VKF	Amend. no.	Amend. start	Prod. no.	Material feature / tech. info.	OTK	External material no.	ID	Weight	SP
340	---	HEXAGON BOLT	1		00.00.0000		M12X25 DIN933ALT/8.8 A3C			3	0,000	
---	0636.016.178	HEXAGON BOLT	1		00.00.0000		M12X25			5	0,035	
350	---	HEXAGON BOLT	1		00.00.0000		M12X25 DIN933ALT/8.8 A3C			3	0,000	
---	0636.016.178	HEXAGON BOLT	1		00.00.0000		M12X25			5	0,035	
360	---	HEXAGON BOLT	1		00.00.0000		M12X25 DIN933ALT/8.8 A3C			3	0,000	
---	0636.016.178	HEXAGON BOLT	1		00.00.0000		M12X25			5	0,035	
420	6060.368.031	BALL PIN	1		00.00.0000					5	0,000	
470	---	SCREW PLUG	1	C0100887 0E10	00.00.0000	00.00.0000	M10X1 * 15N.M* DICHRING			3	0,000	
---	0636.302.053	SCREW PLUG	1		00.00.0000		M10X1			5	0,100	
---	0634.801.013	SEALING RING	1		00.00.0000		10X14			5	0,001	

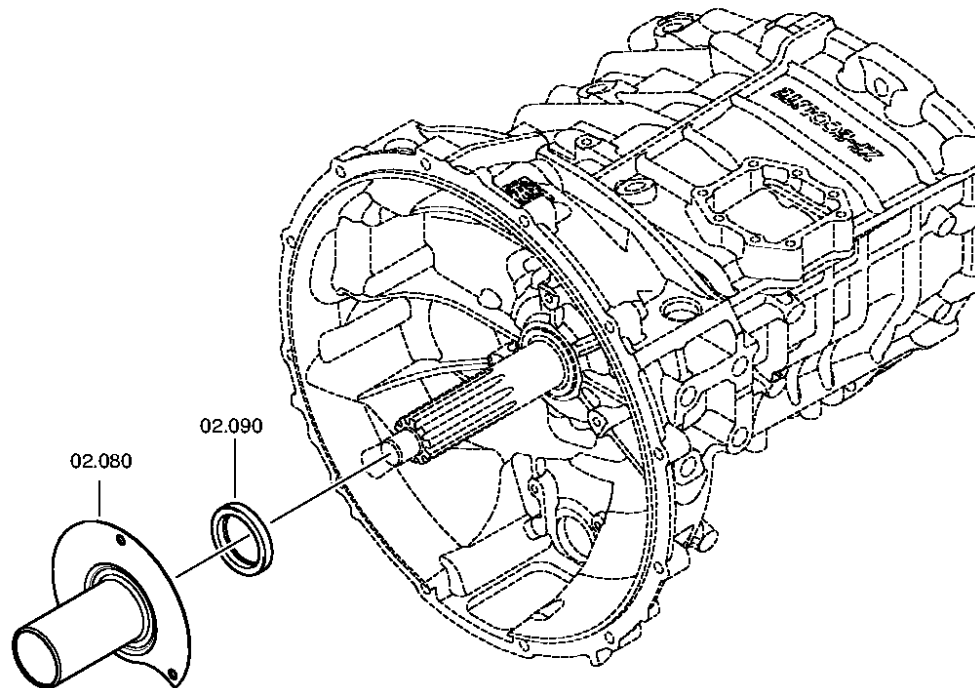
VKF Incidence factor

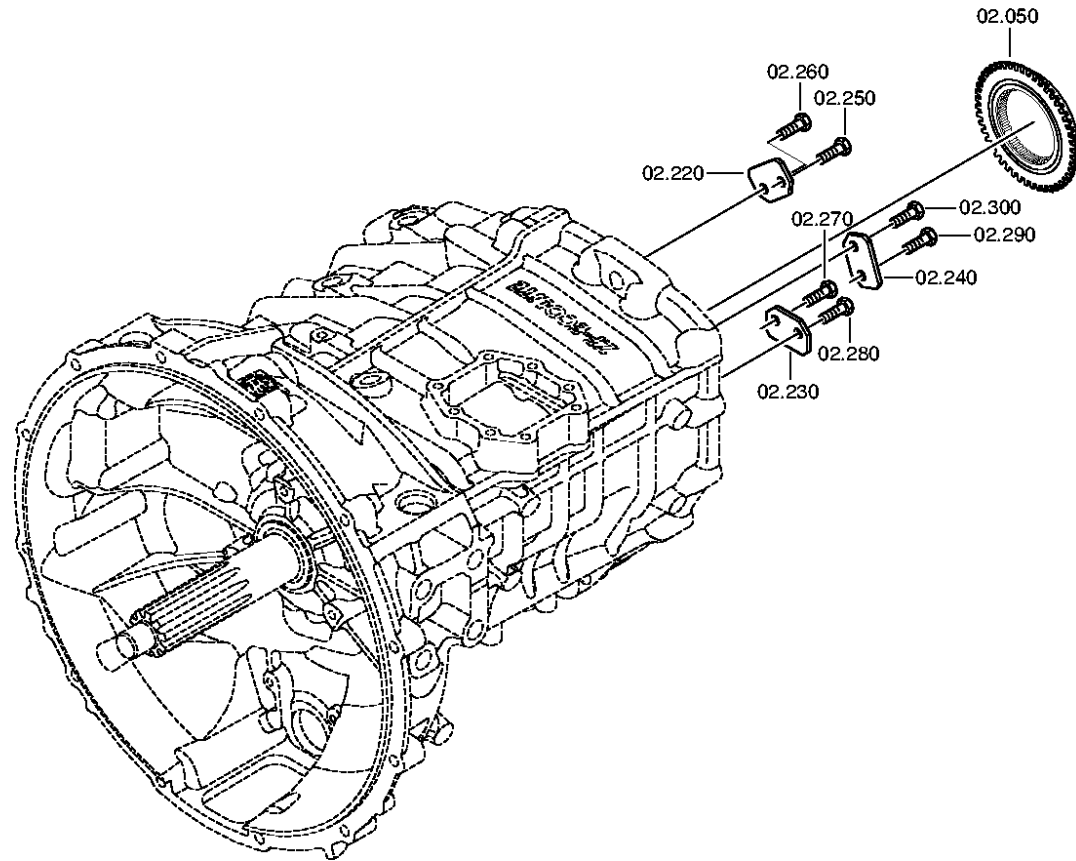
OTK Optional technical kit

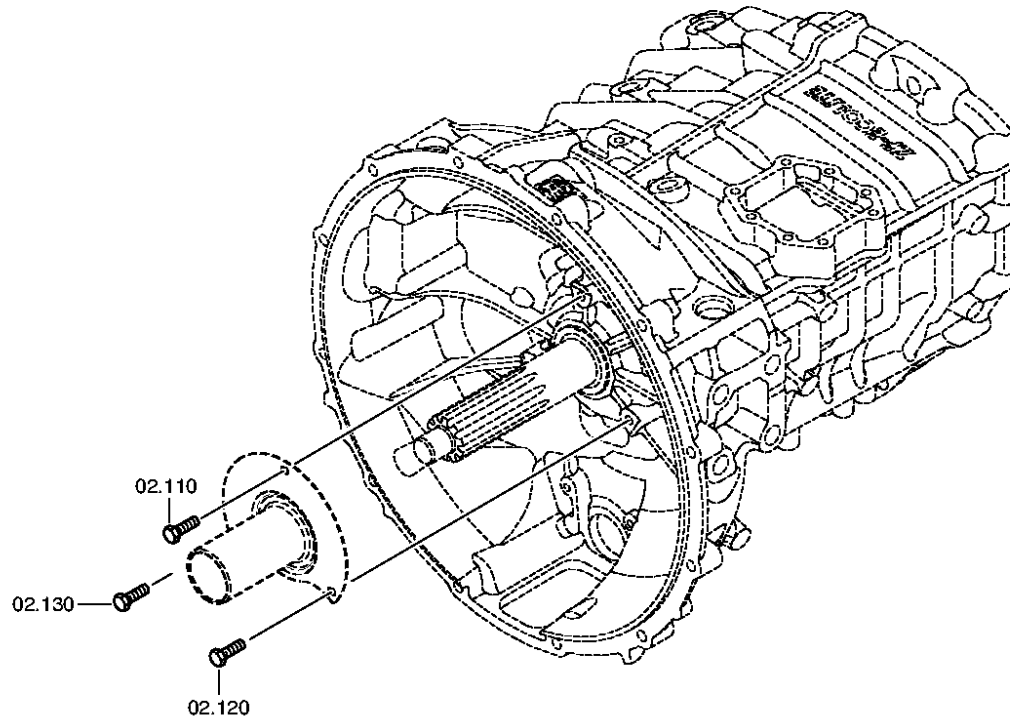
ID Identification (output code)

SP Supplier plant











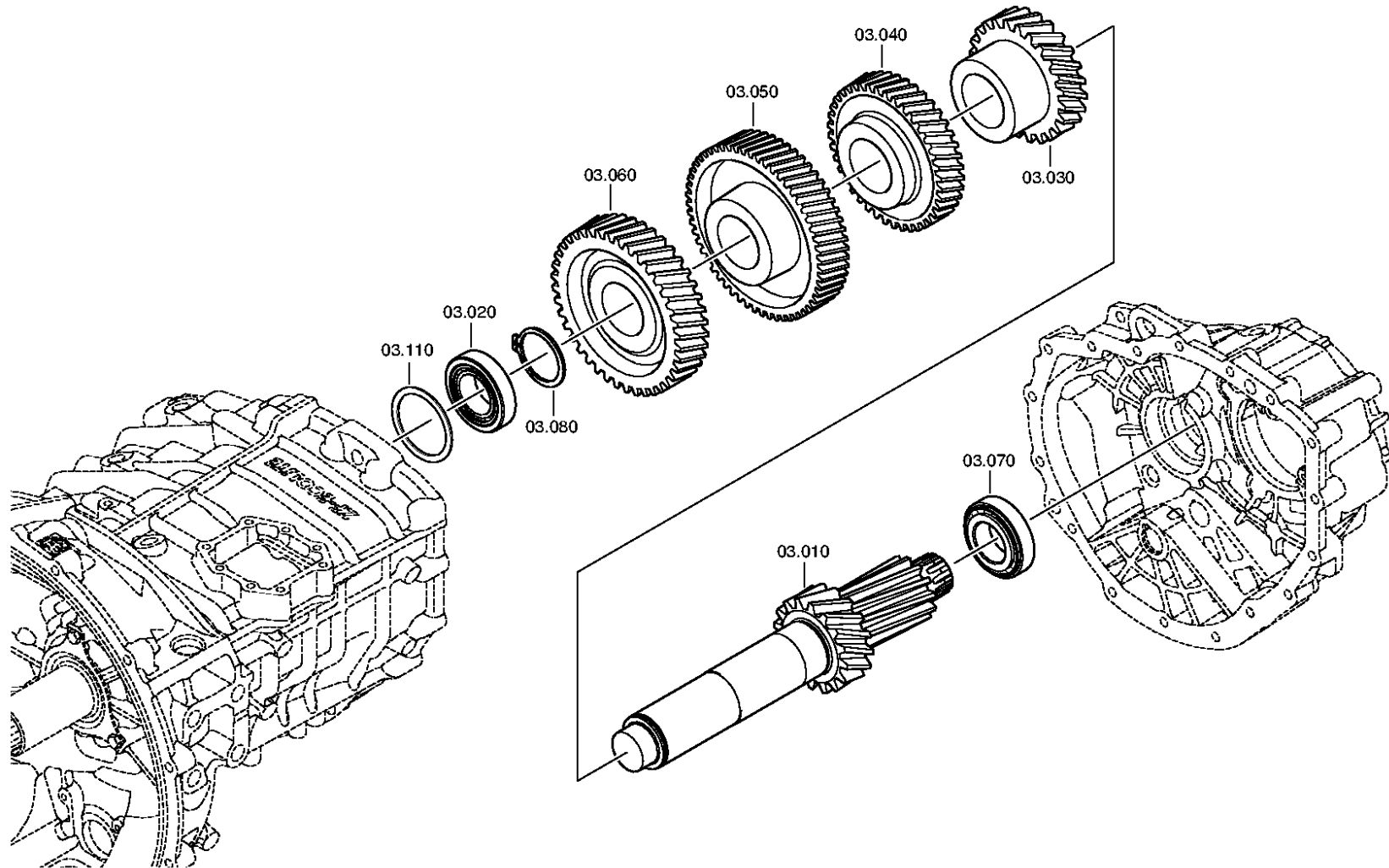
Pos.	Material number	Name	VKF	Amend. no.	Amend. start	Prod. no.	Material feature / tech. info.	OTK	External material no.	ID	Weight	SP
10	1346.302.047	INPUT SHAFT	1		00.00.0000		E2410			5	0,000	
20	0735.330.801	BALL BEARING	1		00.00.0000		60,0X130,0X31,0 FA.SKF			5	0,000	
30	0630.531.076	RETAINING RING	1		00.00.0000		60X3			5	0,020	
50	1346.304.047	CLUTCH BODY	1		00.00.0000		E2410			5	0,000	
80	1346.302.078	GUIDE TUBE	1	C0100945 1E10	00.00.0000	00.00.0000				5	0,000	
90	---	SHAFT SEAL	1		00.00.0000		48X65X7			3	0,000	
---	0734.319.782	SHAFT SEAL	1		00.00.0000		48X65X7 FA.CFW			5	0,000	
110	0636.015.257	HEXAGON BOLT	1		00.00.0000		M8X25			5	0,010	
120	0636.015.257	HEXAGON BOLT	1		00.00.0000		M8X25			5	0,010	
130	0636.015.257	HEXAGON BOLT	1		00.00.0000		M8X25			5	0,010	
220	1290.312.111	TAB WASHER	1		00.00.0000		ENTHALT.IN 1290 312 113(2)			5	0,000	
230	1290.312.111	TAB WASHER	1		00.00.0000		ENTHALT.IN 1290 312 113(2)			5	0,000	
240	1290.312.111	TAB WASHER	1		00.00.0000		ENTHALT.IN 1290 312 113(2)			5	0,000	
250	0636.015.257	HEXAGON BOLT	1		00.00.0000		M8X25			5	0,010	
260	0636.015.257	HEXAGON BOLT	1		00.00.0000		M8X25			5	0,010	
270	0636.015.257	HEXAGON BOLT	1		00.00.0000		M8X25			5	0,010	
280	0636.015.257	HEXAGON BOLT	1		00.00.0000		M8X25			5	0,010	
290	0636.015.257	HEXAGON BOLT	1		00.00.0000		M8X25			5	0,010	
300	0636.015.257	HEXAGON BOLT	1		00.00.0000		M8X25			5	0,010	

VKF Incidence factor

OTK Optional technical kit

ID Identification (output code)

SP Supplier plant





Pos.	Material number	Name	VKF	Amend. no.	Amend. start	Prod. no.	Material feature / tech. info.	OTK	External material no.	ID	Weight	SP
10	1346.203.001	LAYSHAFT	1	C0100849 0E10	00.00.0000	00.00.0000	KPL.6S1000TO			3	0,000	
/10	---	LAYSHAFT	1	C0100440 0F10	00.00.0000	00.00.0000	WTB*E2410			3	0,000	
---	1346.303.064	LAYSHAFT	1	C0100592 8F10	00.00.0000	00.00.0000	E2410			5	0,000	
---	1346.303.067	LAYSHAFT	1	C0100592 9F10	00.00.0000	00.00.0000	E2410			5	0,000	
/20	1250.303.095	THRUST RING	1		00.00.0000					5	0,000	
20	0735.371.994	TAROLLBEARING	1		00.00.0000		33209 FA. FAG			5	0,000	
30	1346.303.046	HELICAL GEAR	1	C0100828 4E10	00.00.0000	00.00.0000	E2410 G3			5	0,000	
40	---	HELICAL GEAR	1	C0100229 9F10	00.00.0000	00.00.0000	WTB*4.GANG*E2410			3	0,000	
---	1346.303.040	HELICAL GEAR	1		00.00.0000		E2410 G4			5	0,000	
---	1346.303.007	HELICAL GEAR	1		00.00.0000		E2410 G4			5	0,000	
50	---	HELICAL GEAR	1	C0100230 0F10	00.00.0000	00.00.0000	WTB*G6 OD/K0 DD*E2410			3	0,000	
---	1346.303.039	HELICAL GEAR	1		00.00.0000		E2410 G6 OD/ KO DD			5	0,000	
---	1346.303.033	HELICAL GEAR	1		00.00.0000					5	0,000	
60	---	HELICAL GEAR	1	C0100230 1F10	00.00.0000	00.00.0000	WTB*K0 OD/G5 DD*E2410			3	0,000	
---	1346.303.038	HELICAL GEAR	1		00.00.0000		E2410 KO OD / G5 DD			5	0,000	
---	1346.303.034	HELICAL GEAR	1		00.00.0000		E2410 KO OD/ G5 DD			5	0,000	
70	0735.372.217	TAROLLBEARING	1		00.00.0000		45,0X85,0X24,7 FA.SKF			5	0,000	
80	0630.531.076	RETAINING RING	1		00.00.0000		60X3			5	0,020	
110	---	SHIM	1	C0100865 2E10	00.00.0000	00.00.0000	A= 1,10- 2,05(ABSTUFUNG:0,05MM)			3	0,000	
---	0730.004.731	SHIM	1		00.00.0000		A=2,05			5	0,000	
---	0730.002.934	SHIM	1	C0100392 6F10	00.00.0000	00.00.0000	A=2,00			5	0,000	
---	0730.003.435	SHIM	1		00.00.0000		A=1,95			5	0,000	
---	0730.002.935	SHIM	1	C0100392 6F10	00.00.0000	00.00.0000	A=1,90			5	0,000	
---	0730.003.434	SHIM	1		00.00.0000		A=1,85			5	0,000	

VKF Incidence factor

OTK Optional technical kit

ID Identification (output code)

SP Supplier plant



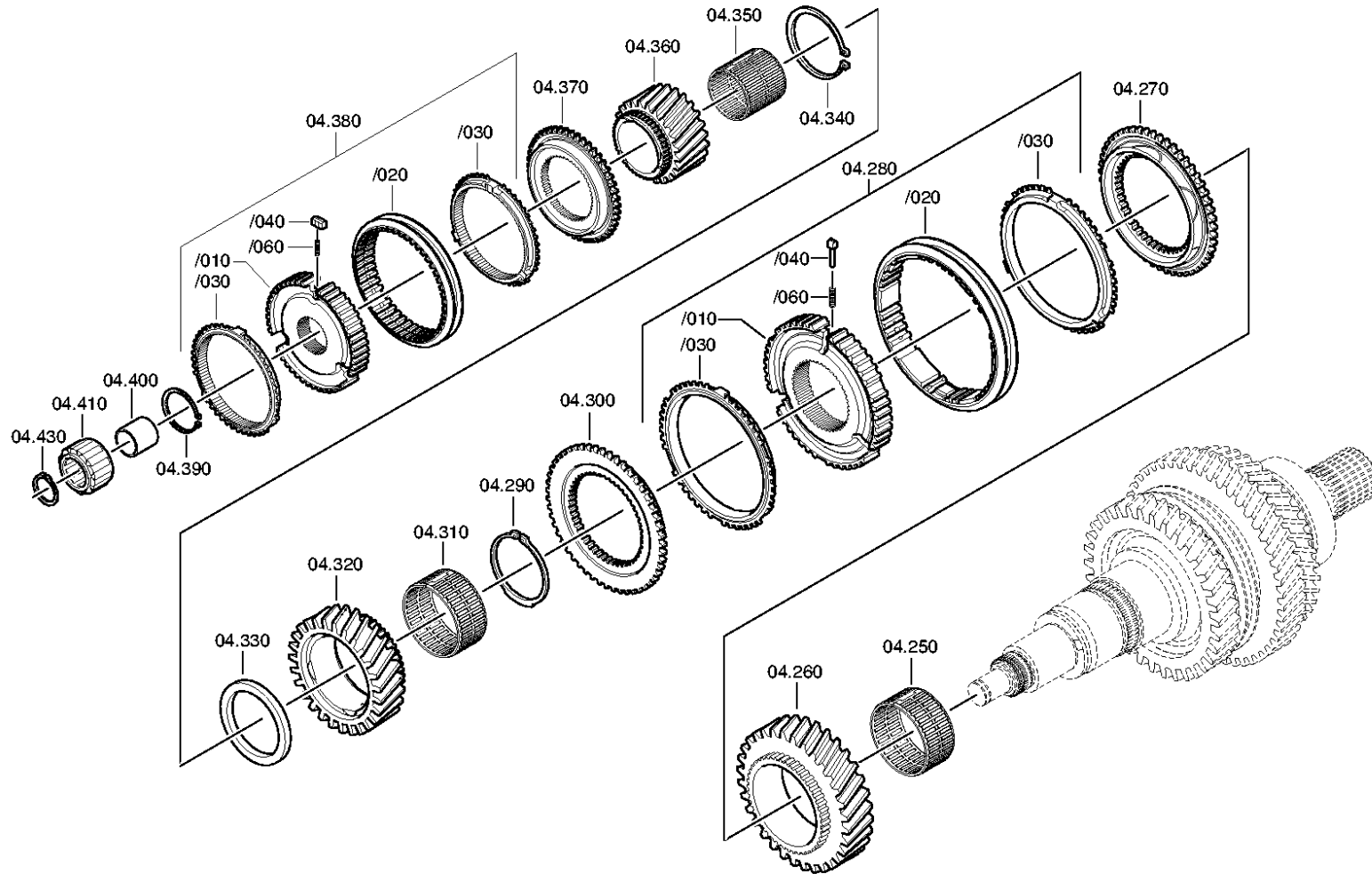
Pos.	Material number	Name	VKF	Amend. no.	Amend. start	Prod. no.	Material feature / tech. info.	OTK	External material no.	ID	Weight	SP
---	0730.002.936	SHIM	1	C0100392 6F10	00.00.0000	00.00.0000	A=1,80			5	0,000	
---	0730.003.433	SHIM	1		00.00.0000		A=1,75			5	0,000	
---	0730.002.937	SHIM	1	C0100392 6F10	00.00.0000	00.00.0000	A=1,70			5	0,000	
---	0730.003.432	SHIM	1		00.00.0000		A=1,65			5	0,000	
---	0730.002.938	SHIM	1	C0100392 6F10	00.00.0000	00.00.0000	A=1,60			5	0,000	
---	0730.003.431	SHIM	1		00.00.0000		A=1,55			5	0,000	
---	0730.002.939	SHIM	1	C0100392 6F10	00.00.0000	00.00.0000	A=1,50			5	0,000	
---	0730.003.430	SHIM	1		00.00.0000		A=1,45			5	0,000	
---	0730.002.940	SHIM	1	C0100392 6F10	00.00.0000	00.00.0000	A=1,40			5	0,000	
---	0730.003.429	SHIM	1		00.00.0000		A=1,35			5	0,000	
---	0730.002.941	SHIM	1	C0100392 6F10	00.00.0000	00.00.0000	A=1,30			5	0,000	
---	0730.004.706	SHIM	1		00.00.0000		A=1,25			5	0,000	
---	0730.002.942	SHIM	1	C0100392 6F10	00.00.0000	00.00.0000	A=1,20			5	0,000	
---	0730.004.705	SHIM	1		00.00.0000		A=1,15			5	0,000	
---	0730.002.943	SHIM	1	C0100392 6F10	00.00.0000	00.00.0000	A=1,10			5	0,000	

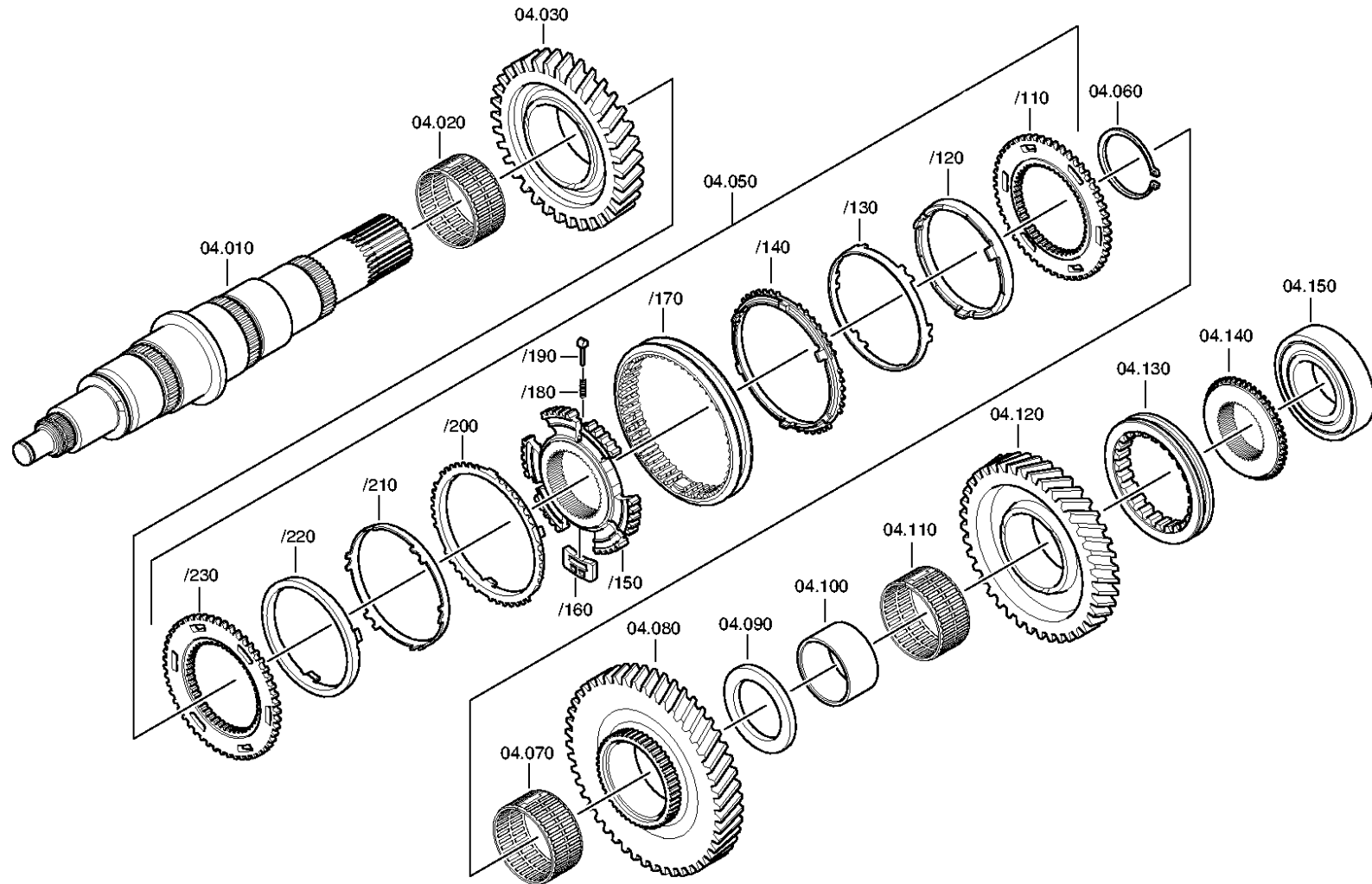
VKF Incidence factor

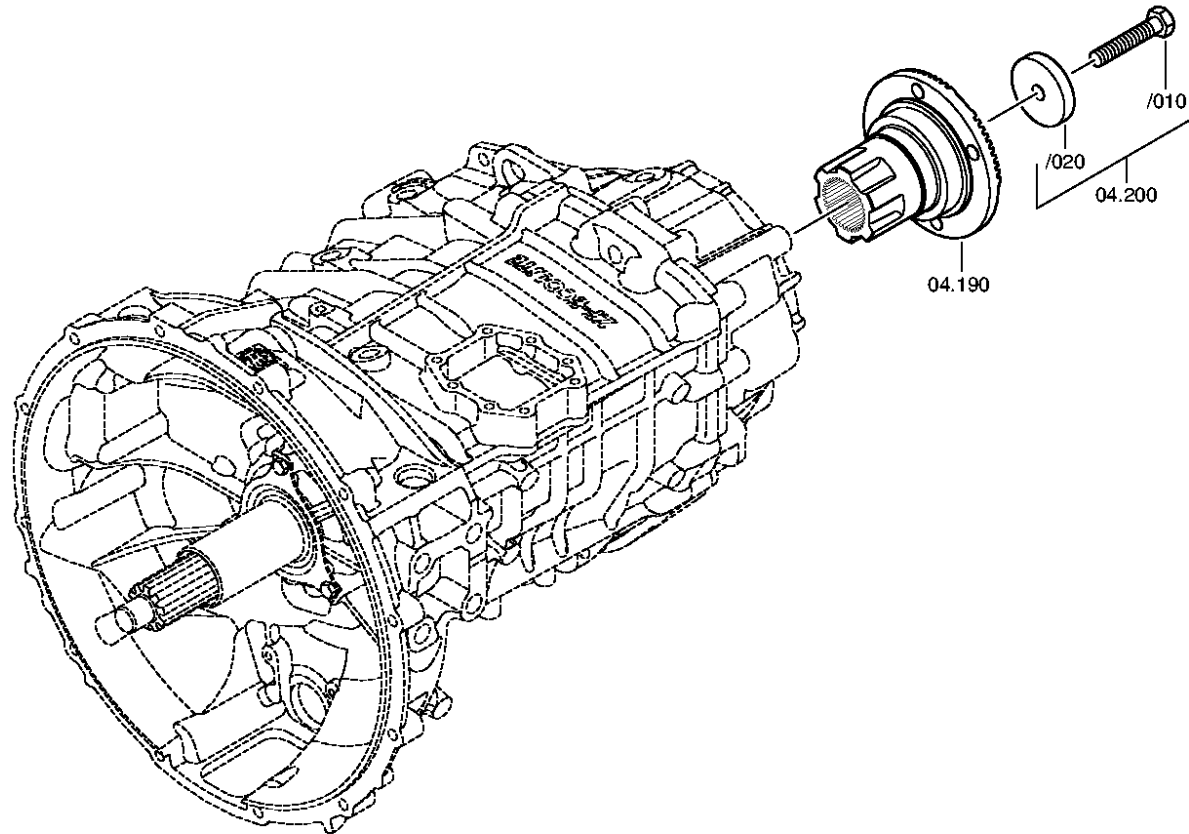
OTK Optional technical kit

ID Identification (output code)

SP Supplier plant









Pos.	Material number	Name	VKF	Amend. no.	Amend. start	Prod. no.	Material feature / tech. info.	OTK	External material no.	ID	Weight	SP
10	1346.304.107	MAIN SHAFT	1		00.00.0000		E2410			5	0,000	
20	0750.115.567	NEEDLE CAGE	1		00.00.0000		WTB 80,0X88,0X41,8* E2408			3	0,000	
30	---	HELICAL GEAR	1	C0100229 8F10	00.00.0000	00.00.0000	WTB*2.GANG*E2410			3	0,000	
---	1346.304.054	HELICAL GEAR	1		00.00.0000		E2410 G2			5	0,000	
---	1346.304.011	HELICAL GEAR	1		00.00.0000		E2410 G2			5	0,000	
50	1346.204.001	SYNCHRONIZER	1		00.00.0000		KPL.ZF-D*D=135/128 7,5			3	0,000	
/110	1346.304.092	CLUTCH DISC	1	C0100444 4E10	00.00.0000	00.00.0000	ZF-D 135/128			5	0,000	
/120	---	INTERNAL RING	1	C0100439 8F10	00.00.0000	00.00.0000	WTB*D135/128			3	0,000	
---	1346.304.039	INTERNAL RING	1		00.00.0000					5	0,000	
---	1346.304.032	INTERNAL RING	1		00.00.0000		ZF-D135/128 7.5GR			5	0,000	
/130	1346.304.038	INTERMRING	1		00.00.0000		ZF-D135/128 MO-MASS 7.5GR			5	0,000	
/140	1346.304.033	OUTER RING	1		00.00.0000		ZF-D135/128 7.5GR			5	0,000	
/150	1346.304.091	SYNCHROBODY	1	C0100442 2E10	00.00.0000	00.00.0000	ZF-D 135/128			5	0,000	
/160	1312.304.159	COUPLING ELEMENT	3		00.00.0000					5	0,030	
/170	6002.305.994	SLIDING SLEEVE	1		00.00.0000					5	0,000	
/180	0732.040.409	COMPRSPRING	3		00.00.0000					5	0,002	
/190	1297.304.436	PRESSURE PIECE	3		00.00.0000					5	0,004	
/200	1346.304.033	OUTER RING	1		00.00.0000		ZF-D135/128 7.5GR			5	0,000	
/210	1346.304.038	INTERMRING	1		00.00.0000		ZF-D135/128 MO-MASS 7.5GR			5	0,000	
/220	---	INTERNAL RING	1	C0100439 8F10	00.00.0000	00.00.0000	WTB*D135/128			3	0,000	
---	1346.304.039	INTERNAL RING	1		00.00.0000					5	0,000	
---	1346.304.032	INTERNAL RING	1		00.00.0000		ZF-D135/128 7.5GR			5	0,000	
/230	1346.304.092	CLUTCH DISC	1	C0100444 4E10	00.00.0000	00.00.0000	ZF-D 135/128			5	0,000	
60	0730.300.991	SNAP RING	1		00.00.0000		75X4 75X4			5	0,000	
70	0735.321.529	NEEDLE CAGE	1		00.00.0000		75,0X83,0X40,0 FA.INA			5	0,000	

VKF Incidence factor

OTK Optional technical kit

ID Identification (output code)

SP Supplier plant



Pos.	Material number	Name	VKF	Amend. no.	Amend. start	Prod. no.	Material feature / tech. info.	OTK	External material no.	ID	Weight	SP
80	1346.304.125	HELICAL GEAR	1	C0100121 3F10	00.00.0000	00.00.0000	E2410 G1			5	0,000	
90	0501.322.939	THRUST WASHER	1		00.00.0000					5	0,000	
100	0735.295.239	INTERNAL RING	1		00.00.0000		66,0X40,0X75,0 FA.INA			5	0,000	
110	0735.321.529	NEEDLE CAGE	1		00.00.0000		75,0X83,0X40,0 FA.INA			5	0,000	
120	1346.304.167	HELICAL GEAR	1		00.00.0000		E2410 RG KLAUE			5	0,000	
130	1308.304.087	SLIDING SLEEVE	1		00.00.0000		RG-KLAUE			5	0,000	
140	1346.304.177	CLUTCH BODY	1	Z0000432 2210	16.06.2009	16.06.2009	RG-KLAUE E2410/E2408			5	0,000	
150	0735.330.799	BALL BEARING	1		00.00.0000		55,0X120,0X29,0 FA.SKF			5	0,000	
190	1346.304.086	OUTPUT FLANGE	1		00.00.0000		E2410/E2408; D=155MM			5	0,000	
200	---	HEXAGON BOLT	1		00.00.0000		M14X1,5X75 ISO8765/10. 9 A3C*E24* FLANSCHBEFESTIGUNG			3	0,000	
---	0636.020.404	HEXAGON BOLT	1		00.00.0000		M14X1,5X75			5	0,000	
---	0730.113.920	WASHER	1		00.00.0000		A=14,00 ABTR.FLANSCH			5	0,000	
250	0750.115.567	NEEDLE CAGE	1		00.00.0000		WTB 80,0X88,0X41,8* E2408			3	0,000	
260	---	HELICAL GEAR	1	C0100440 2F10	00.00.0000	00.00.0000	WTB*E2410*G3			3	0,000	
---	1346.304.102	HELICAL GEAR	1		00.00.0000		E2410 G3			5	0,000	
---	1346.304.136	HELICAL GEAR	1		00.00.0000		E2410 G3			5	0,000	
270	1346.304.094	CLUTCH BODY	1	C0100442 9E10	00.00.0000	00.00.0000	ENTHALT.IN 1310 304 160(1)			5	0,000	
280	1346.204.005	SYNCHRONIZER	1		00.00.0000		KPL.ZF*BK131*3/4GG			3	0,000	
/10	1346.304.025	SYNCHROBODY	1		00.00.0000					5	0,000	
/20	1310.304.195	SLIDING SLEEVE	1		00.00.0000		ZF-BK131			5	0,000	
/30	1268.304.594	SYNCHRORING	2		00.00.0000		ZFBK 131			5	0,000	
/40	1297.304.436	PRESSURE PIECE	3		00.00.0000					5	0,004	
/60	0732.040.409	COMPRSPRING	3		00.00.0000					5	0,002	
290	0730.501.762	RETAINING RING	1		00.00.0000					5	0,000	
300	1346.304.093	CLUTCH BODY	1		00.00.0000		ENTHALT.IN 1310 304 160(1)			5	0,000	
310	0750.115.566	NEEDLE CAGE	1		00.00.0000		WTB 72,0X80,0X35,8* E2410G4			3	0,000	
320	1346.304.099	HELICAL GEAR	1		00.00.0000		E2410 G4			5	0,000	

VKF Incidence factor

OTK Optional technical kit

ID Identification (output code)

SP Supplier plant



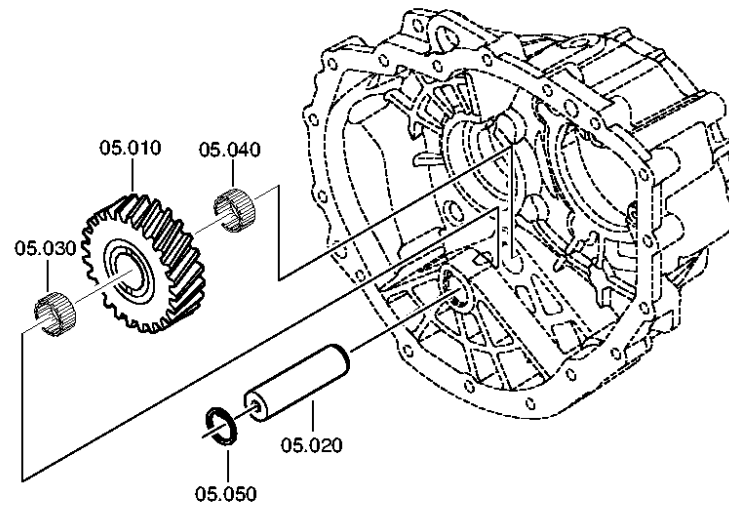
Pos.	Material number	Name	VKF	Amend. no.	Amend. start	Prod. no.	Material feature / tech. info.	OTK	External material no.	ID	Weight	SP
330	0501.323.702	THRUST WASHER	1	C0100015 0F10	00.00.0000	00.00.0000	TIMKEN			5	0,000	
340	0730.300.992	SNAP RING	1		00.00.0000		70X4 70X4			5	0,000	
350	0750.115.565	NEEDLE CAGE	1		00.00.0000		WTB 50,0X56,0X53,8* E2410			3	0,000	
360	1346.304.048	HELICAL GEAR	1		00.00.0000		E2410 G6 OD			5	0,000	
370	1346.304.047	CLUTCH BODY	1		00.00.0000		E2410			5	0,000	
380	1346.204.004	SYNCHRONIZER	1		00.00.0000		KPL.ZF*B100III*5/6GG* STAHL			3	0,000	
/10	1346.304.118	SYNCHROBODY	1	C0100248 5F10	00.00.0000	00.00.0000	ZF-B 100 III			5	0,000	
/20	1346.304.090	SLIDING SLEEVE	1	C0100442 3E10	00.00.0000	00.00.0000	ZF-B 100 III			5	0,000	
/30	1317.304.150	SYNCHRO RING	2		00.00.0000					5	0,000	
/40	1317.304.081	PRESSURE PIECE	3		00.00.0000					5	0,000	
/60	0732.042.510	COMPRSPRING	3		00.00.0000					5	0,000	
390	0630.531.050	RETAINING RING	1		00.00.0000		40X2,5			5	0,010	
400	0735.295.223	INTERNAL RING	1		00.00.0000		25,0X30,0X29,0 FA. TIMKEN			5	0,000	
410	0735.358.346	ROLLER CAGE	1	C0100688 0E10	00.00.0000	00.00.0000	30,0X50,0X29,8 FA. TIMKEN			5	0,000	
430	0630.513.070	SNAP RING	1		00.00.0000					5	0,001	

VKF Incidence factor

OTK Optional technical kit

ID Identification (output code)

SP Supplier plant





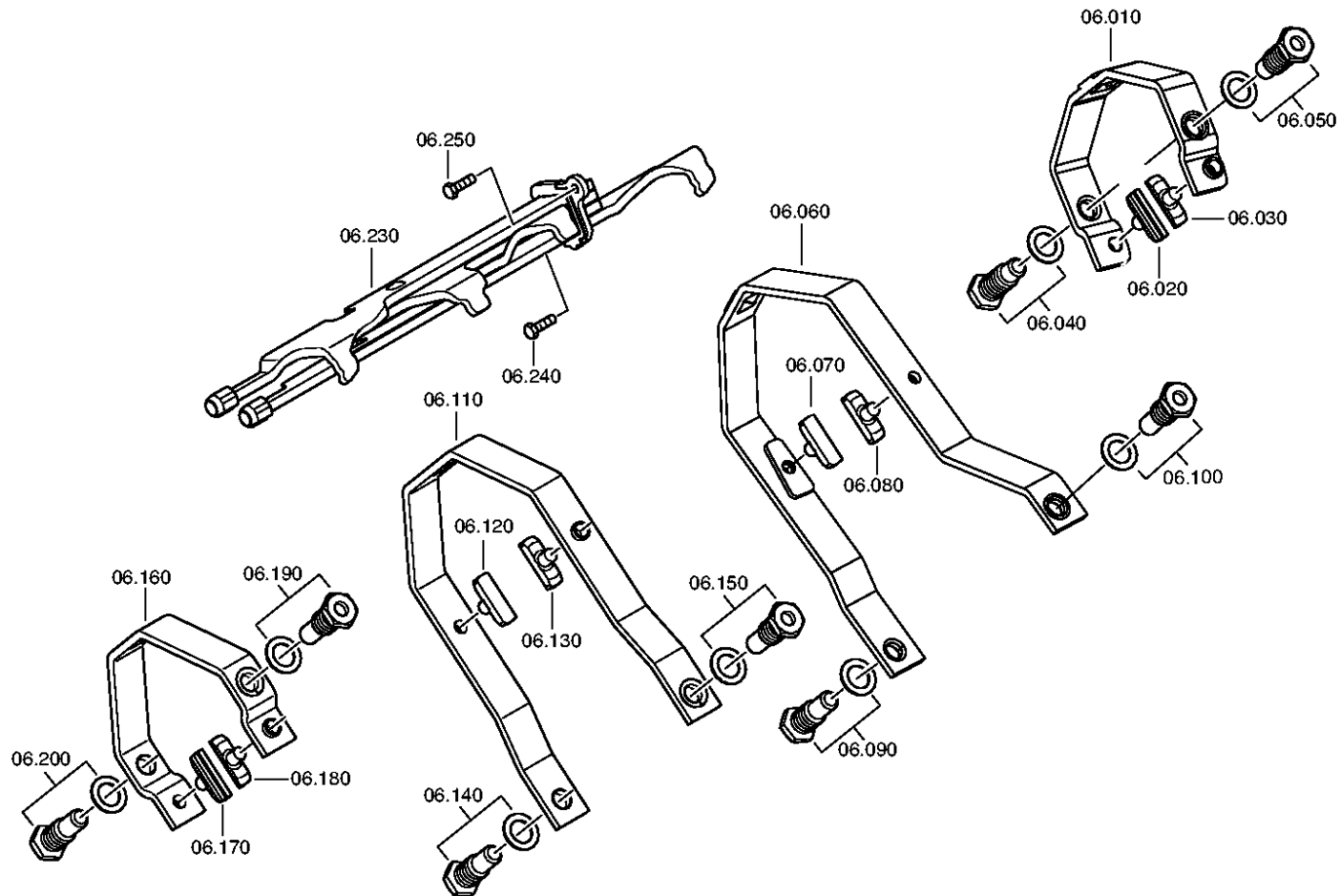
Pos.	Material number	Name	VKF	Amend. no.	Amend. start	Prod. no.	Material feature / tech. info.	OTK	External material no.	ID	Weight	SP
10	1346.305.057	REVERSE IDLER GEAR	1		00.00.0000		E2410 RG			5	0,000	
20	1346.305.039	REVERSE IDLER SHAFT	1	C0100442 4F10	00.00.0000	00.00.0000	E24			5	0,000	
30	0635.300.110	NEEDLE CAGE	1		00.00.0000		28X35X18			5	0,000	
40	0635.300.110	NEEDLE CAGE	1		00.00.0000		28X35X18			5	0,000	
50	0630.502.014	RETAINING RING	1		00.00.0000		28X1,2			5	0,002	

VKF Incidence factor

OTK Optional technical kit

ID Identification (output code)

SP Supplier plant





Pos.	Material number	Name	VKF	Amend. no.	Amend. start	Prod. no.	Material feature / tech. info.	OTK	External material no.	ID	Weight	SP
10	0501.217.316	GEAR SHIFT FORK	1	Z0000406 6710	01.01.2010	01.01.2010	KPL. RG KLAUE			5	0,000	
20	1290.306.423	SLIDING PAD	1		00.00.0000		ENTHALT.IN 1290 306 422(2)			5	0,000	
30	1290.306.423	SLIDING PAD	1		00.00.0000		ENTHALT.IN 1290 306 422(2)			5	0,000	
40	---	ARTICULATION BOLT	1		00.00.0000		M18X1,5*O.INDUKT-HAERTUNG *LANGES GEWINDE			3	0,000	
---	1346.306.030	ARTICULATION BOLT	1		00.00.0000					5	0,000	
---	0730.300.093	SPRING WASHER	1		00.00.0000					5	0,000	
50	---	ARTICULATION BOLT	1		00.00.0000		M18X1,5*O.INDUKT-HAERTUNG *LANGES GEWINDE			3	0,000	
---	1346.306.030	ARTICULATION BOLT	1		00.00.0000					5	0,000	
---	0730.300.093	SPRING WASHER	1		00.00.0000					5	0,000	
60	0501.217.267	GEAR SHIFT FORK	1	Z0000406 6711	01.01.2010	01.01.2010	KPL.			5	0,000	
70	1290.306.066	SLIDING PAD	1		00.00.0000					5	0,037	
80	1290.306.066	SLIDING PAD	1		00.00.0000					5	0,037	
90	---	ARTICULATION BOLT	1		00.00.0000		M18X1,5*O.INDUKT-HAERTUNG			3	0,000	
---	1346.306.023	ARTICULATION BOLT	1		00.00.0000					5	0,000	
---	0730.300.093	SPRING WASHER	1		00.00.0000					5	0,000	
100	---	ARTICULATION BOLT	1		00.00.0000		M18X1,5*O.INDUKT-HAERTUNG			3	0,000	
---	1346.306.023	ARTICULATION BOLT	1		00.00.0000					5	0,000	
---	0730.300.093	SPRING WASHER	1		00.00.0000					5	0,000	
110	0501.217.319	GEAR SHIFT FORK	1	Z0000406 6713	01.01.2010	01.01.2010	KPL. 3/4 E2410			5	0,000	
120	1290.306.066	SLIDING PAD	1		00.00.0000					5	0,037	
130	1290.306.066	SLIDING PAD	1		00.00.0000					5	0,037	

VKF Incidence factor

OTK Optional technical kit

ID Identification (output code)

SP Supplier plant



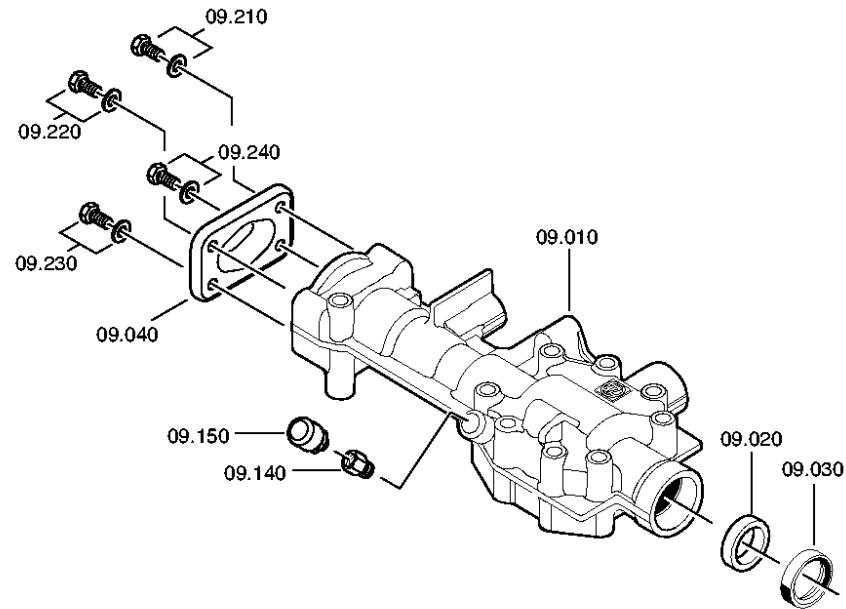
Pos.	Material number	Name	VKF	Amend. no.	Amend. start	Prod. no.	Material feature / tech. info.	OTK	External material no.	ID	Weight	SP
140	---	ARTICULATION BOLT	1		00.00.0000		M18X1,5*O.INDUKT-HAERTUNG			3	0,000	
---	1346.306.023	ARTICULATION BOLT	1		00.00.0000					5	0,000	
---	0730.300.093	SPRING WASHER	1		00.00.0000					5	0,000	
150	---	ARTICULATION BOLT	1		00.00.0000		M18X1,5*O.INDUKT-HAERTUNG			3	0,000	
---	1346.306.023	ARTICULATION BOLT	1		00.00.0000					5	0,000	
---	0730.300.093	SPRING WASHER	1		00.00.0000					5	0,000	
160	0501.217.320	GEAR SHIFT FORK	1	Z0000406 6714	01.01.2010	01.01.2010	KPL. 5/6 OD			5	0,000	
170	1290.306.423	SLIDING PAD	1		00.00.0000		ENTHALT.IN 1290 306 422(2)			5	0,000	
180	1290.306.423	SLIDING PAD	1		00.00.0000		ENTHALT.IN 1290 306 422(2)			5	0,000	
190	---	ARTICULATION BOLT	1		00.00.0000		M18X1,5*O.INDUKT-HAERTUNG			3	0,000	
---	1346.306.023	ARTICULATION BOLT	1		00.00.0000					5	0,000	
---	0730.300.093	SPRING WASHER	1		00.00.0000					5	0,000	
200	---	ARTICULATION BOLT	1		00.00.0000		M18X1,5*O.INDUKT-HAERTUNG			3	0,000	
---	1346.306.023	ARTICULATION BOLT	1		00.00.0000					5	0,000	
---	0730.300.093	SPRING WASHER	1		00.00.0000					5	0,000	
230	0501.215.912	DRAG LINK	1		00.00.0000		KPL. E24-10-08-XX-SP-01-- E			5	0,000	
240	0636.015.297	HEXAGON BOLT	1		00.00.0000		M6X20			5	5	
250	0636.015.297	HEXAGON BOLT	1		00.00.0000		M6X20			5	5	

VKF Incidence factor

OTK Optional technical kit

ID Identification (output code)

SP Supplier plant





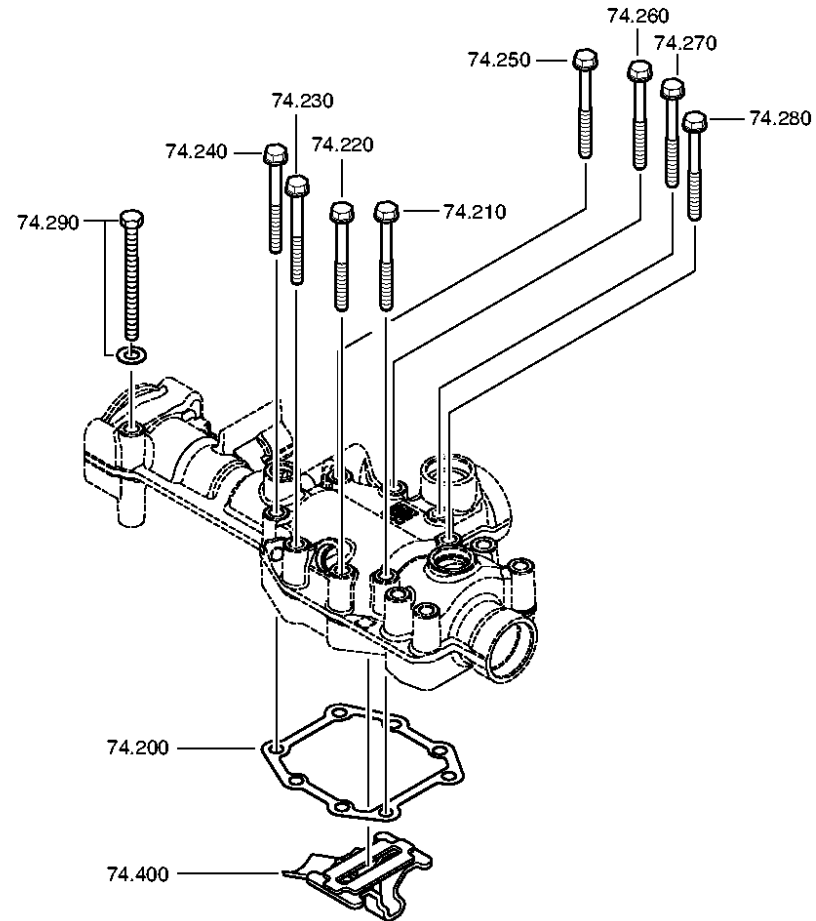
Pos.	Material number	Name	VKF	Amend. no.	Amend. start	Prod. no.	Material feature / tech. info.	OTK	External material no.	ID	Weight	SP
10	1346.307.044	GEAR SHIFT HOUSING	1	C0100859 0E10	00.00.0000	00.00.0000	MGS			5	0,000	
20	0730.260.703	BUSH	1		00.00.0000		A=13,70			5	0,000	
30	---	SHAFT SEAL	1		00.00.0000		28X42X11			3	0,000	
---	0734.309.765	SHAFT SEAL	1		00.00.0000		28X42X11 FA.SKT			5	0,000	
40	1341.307.093	COVER	1	C0100774 9E10	00.00.0000	00.00.0000				5	0,000	
140	---	THREADED BUSH	1		00.00.0000		M10X1KEG			3	0,000	
---	0731.590.268	THREADED BUSH	1		00.00.0000					5	0,000	
150	---	BREATHER	1		00.00.0000					3	0,000	
---	0501.202.797	BREATHER	1		00.00.0000		KPL.			5	30	
210	---	HEXAGON BOLT	1		00.00.0000		M8X20 ISO4017/8.8 A3C			3	0,000	
---	0636.015.299	HEXAGON BOLT	1		00.00.0000		M8X20			5	0,010	
---	0630.001.075	WASHER	1		00.00.0000					5	0,002	
220	---	HEXAGON BOLT	1		00.00.0000		M8X20 ISO4017/8.8 A3C			3	0,000	
---	0636.015.299	HEXAGON BOLT	1		00.00.0000		M8X20			5	0,010	
---	0630.001.075	WASHER	1		00.00.0000					5	0,002	
230	---	HEXAGON BOLT	1		00.00.0000		M8X20 ISO4017/8.8 A3C			3	0,000	
---	0636.015.299	HEXAGON BOLT	1		00.00.0000		M8X20			5	0,010	
---	0630.001.075	WASHER	1		00.00.0000					5	0,002	
240	---	HEXAGON BOLT	1		00.00.0000		M8X20 ISO4017/8.8 A3C			3	0,000	
---	0636.015.299	HEXAGON BOLT	1		00.00.0000		M8X20			5	0,010	
---	0630.001.075	WASHER	1		00.00.0000					5	0,002	

VKF Incidence factor

OTK Optional technical kit

ID Identification (output code)

SP Supplier plant



Parts list
Page 1 from 1

Material number: 1346.002.062 6 S 1000 TO / KAMAZ PUBLIC JOINT STOCK COMPANY
Plant: 150.10.01-1
Material-assembly-group-no: 1346.174.800



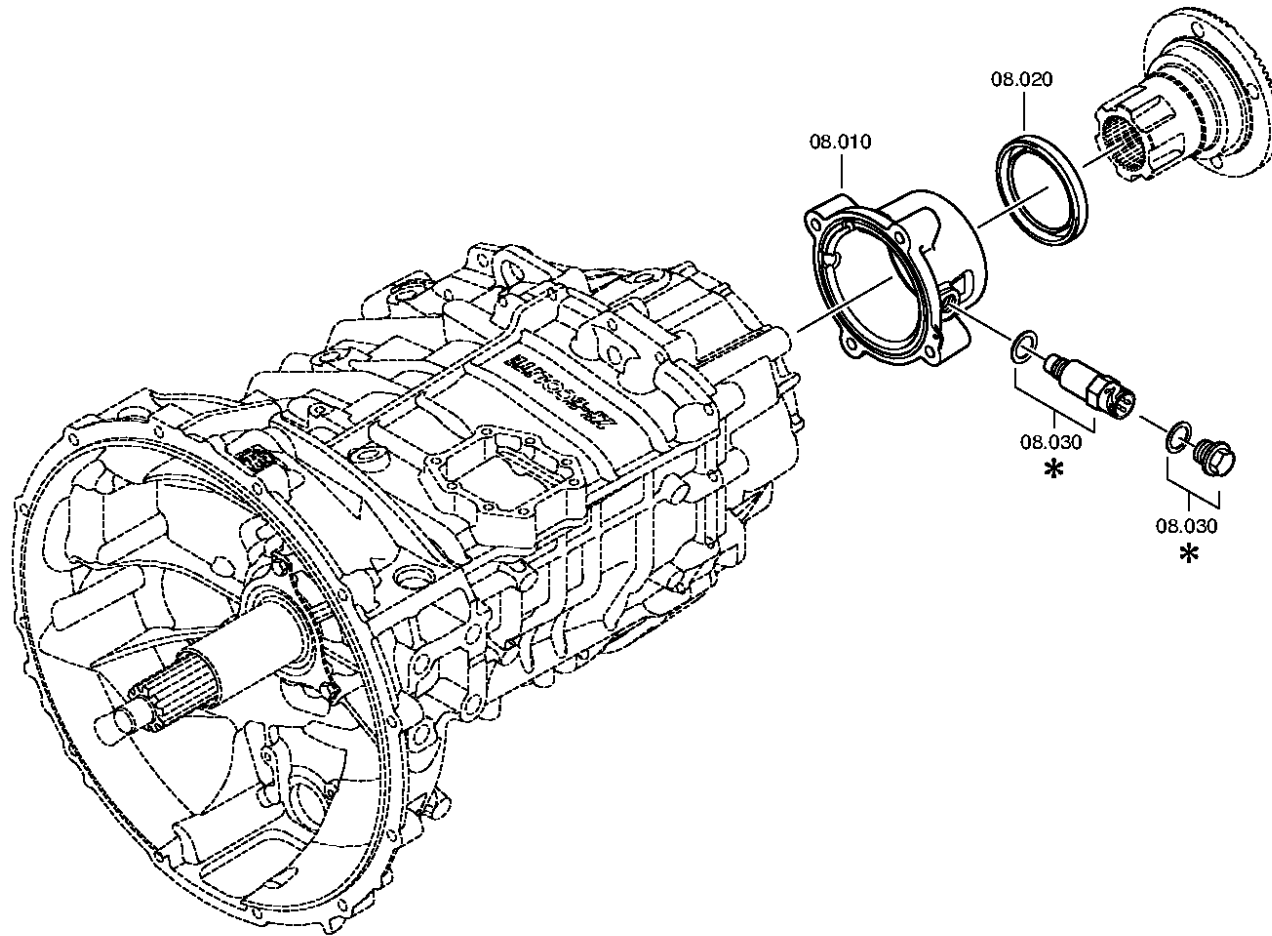
Pos.	Material number	Name	VKF	Amend. no.	Amend. start	Prod. no.	Material feature / tech. info.	OTK	External material no.	ID	Weight	SP
200	1346.307.016	GASKET	1		00.00.0000		SCHALTGEHAEUSE			5	0,000	
210	---	HEXAGON BOLT	1		00.00.0000		M8X80			3	0,000	
---	0736.010.203	HEXAGON BOLT	1		00.00.0000					5	0,000	
220	---	HEXAGON BOLT	1		00.00.0000		M8X80			3	0,000	
---	0736.010.203	HEXAGON BOLT	1		00.00.0000					5	0,000	
230	---	HEXAGON BOLT	1		00.00.0000		M8X80			3	0,000	
---	0736.010.203	HEXAGON BOLT	1		00.00.0000					5	0,000	
240	---	HEXAGON BOLT	1		00.00.0000		M8X80			3	0,000	
---	0736.010.203	HEXAGON BOLT	1		00.00.0000					5	0,000	
250	---	HEXAGON BOLT	1		00.00.0000		M8X80			3	0,000	
---	0736.010.203	HEXAGON BOLT	1		00.00.0000					5	0,000	
260	---	HEXAGON BOLT	1		00.00.0000		M8X80			3	0,000	
---	0736.010.203	HEXAGON BOLT	1		00.00.0000					5	0,000	
270	---	HEXAGON BOLT	1		00.00.0000		M8X80			3	0,000	
---	0736.010.203	HEXAGON BOLT	1		00.00.0000					5	0,000	
280	---	HEXAGON BOLT	1		00.00.0000		M8X80			3	0,000	
---	0736.010.203	HEXAGON BOLT	1		00.00.0000					5	0,000	
290	---	HEXAGON BOLT	1		00.00.0000		M8X100 ISO4017/10.9 A3C			3	0,000	
---	0636.015.485	HEXAGON BOLT	1		00.00.0000		M8X100			5	0,000	
---	0630.001.075	WASHER	1		00.00.0000					5	0,002	
400	1290.207.003	LOCKING PIECE	1		00.00.0000		KPL.KLT.CGS 1290+CGS/ MGS			3	0,000	

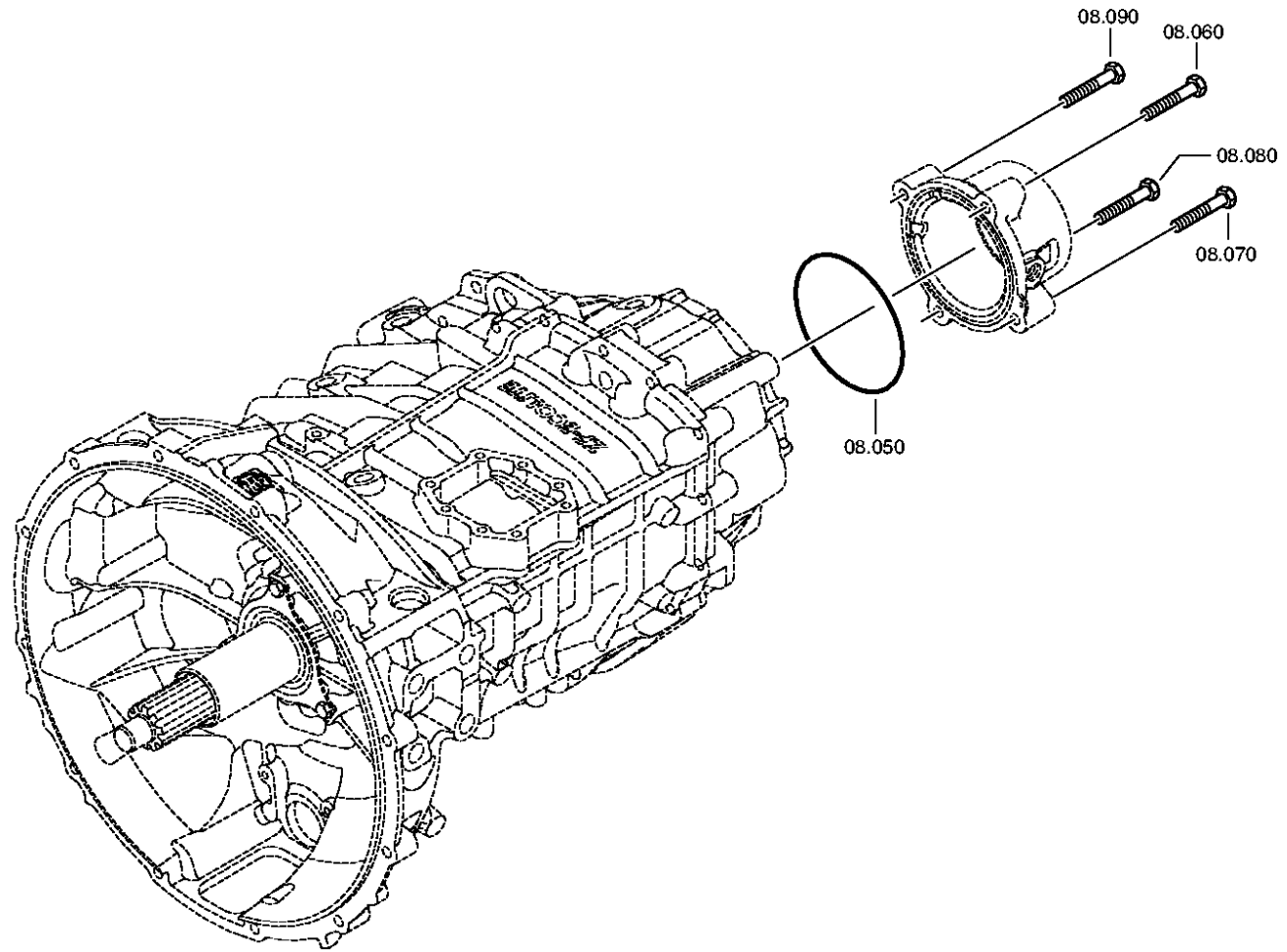
VKF Incidence factor

OTK Optional technical kit

ID Identification (output code)

SP Supplier plant







Pos.	Material number	Name	VKF	Amend. no.	Amend. start	Prod. no.	Material feature / tech. info.	OTK	External material no.	ID	Weight	SP
10	1346.308.002	SPEEDOMETER COVER	1	C0100993 6E10	00.00.0000	00.00.0000	DRUCKGUSS			5	0,000	
20	---	SHAFT SEAL	1		00.00.0000		80X100X10			3	0,000	
---	0750.111.334	SHAFT SEAL	1		00.00.0000		WTB 80X100X10			3	0,000	
30	---	PULSE SENSOR	1		00.00.0000		L= 25,0* 45N.M*O. DICHTRING*BAJONETT			3	0,000	
---	0501.210.856	PULSE SENSOR	1		00.00.0000		KPL. IN 0501 210 854(2)			5	0,000	
50	0634.306.308	O-RING	1		00.00.0000		128X3			5	4	
60	---	HEXAGON BOLT	1		00.00.0000		M10X60Z1 DIN933A/10. 9A3CSM			3	0,000	
---	0636.015.601	HEXAGON BOLT	1		00.00.0000		M10X60			5	0,000	
70	---	HEXAGON BOLT	1		00.00.0000		M10X60Z1 DIN933A/10. 9A3CSM			3	0,000	
---	0636.015.601	HEXAGON BOLT	1		00.00.0000		M10X60			5	0,000	
80	---	HEXAGON BOLT	1		00.00.0000		M10X60Z1 DIN933A/10. 9A3CSM			3	0,000	
---	0636.015.601	HEXAGON BOLT	1		00.00.0000		M10X60			5	0,000	
90	---	HEXAGON BOLT	1		00.00.0000		M10X60Z1 DIN933A/10. 9A3CSM			3	0,000	
---	0636.015.601	HEXAGON BOLT	1		00.00.0000		M10X60			5	0,000	

VKF Incidence factor

OTK Optional technical kit

ID Identification (output code)

SP Supplier plant



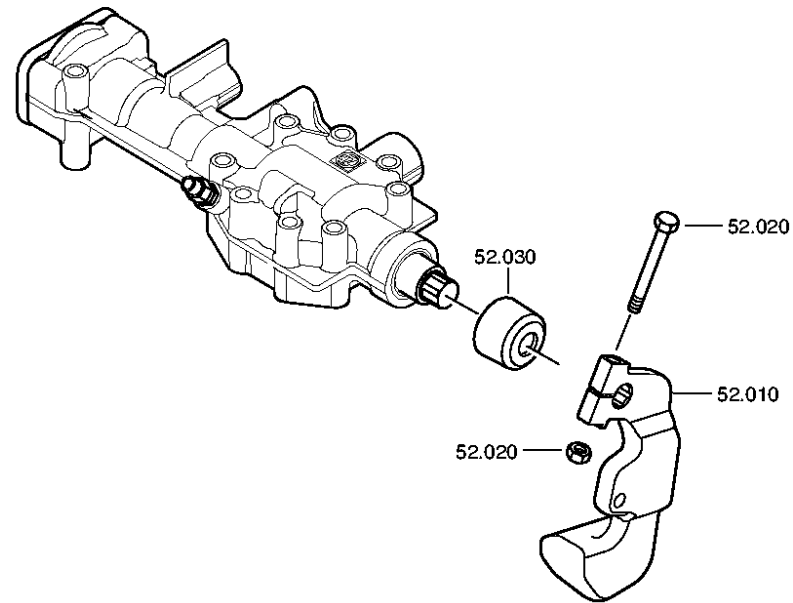
Pos.	Material number	Name	VKF	Amend. no.	Amend. start	Prod. no.	Material feature / tech. info.	OTK	External material no.	ID	Weight	SP
10	0730.104.083	WASHER	1		00.00.0000		A=2,00 IN 0730 104 527(2)			5	0,000	
40	0730.100.214	WASHER	1		00.00.0000					5	0,000	
50	0630.532.138	V-RING	1		00.00.0000					5	0,000	
80	0730.113.106	WASHER	1		00.00.0000		A=2,00			5	0,000	
100	0630.502.022	RETAINING RING	1		00.00.0000		40X1,75			5	4,800	
110	0732.040.444	COMPRSPRING	1		00.00.0000					5	30	
120	0732.040.022	COMPRSPRING	1		00.00.0000					5	0,000	

VKF Incidence factor

OTK Optional technical kit

ID Identification (output code)

SP Supplier plant





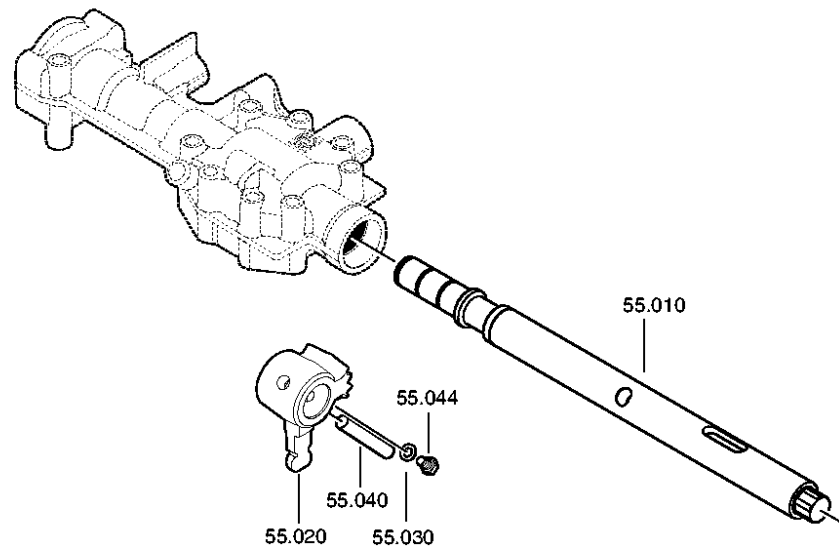
Pos.	Material number	Name	VKF	Amend. no.	Amend. start	Prod. no.	Material feature / tech. info.	OTK	External material no.	ID	Weight	SP
10	1346.307.039	GEAR SHIFT LEVER	1		00.00.0000					5	0,000	
20	---	BOLT+NUT	1		00.00.0000		M10X65 DIN931ALT/10.9 A3C			3	0,000	
---	0636.010.593	HEXAGON BOLT	1		00.00.0000		M10X65			5	47	
---	0637.006.120	HEXAGON NUT	1		00.00.0000		M10			5	0,010	
30	1290.307.066	PROTECTING CAP	1		00.00.0000		S.-WELLE VIER GASSEN			5	0,000	

VKF Incidence factor

OTK Optional technical kit

ID Identification (output code)

SP Supplier plant





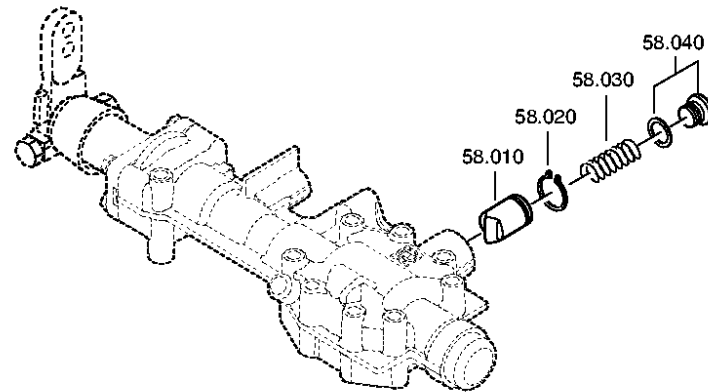
Pos.	Material number	Name	VKF	Amend. no.	Amend. start	Prod. no.	Material feature / tech. info.	OTK	External material no.	ID	Weight	SP
10	1346.307.042	GEAR SHIFT SHAFT	1		00.00.0000		MGS LHD			5	0,000	
20	1346.307.048	DRIVER	1	C0100859 0E10	00.00.0000	00.00.0000	MGS RL AND LL			5	0,000	
30	0630.003.005	WASHER	1		00.00.0000					5	0,000	
40	0631.315.522	CYLINDRICAL PIN	1		00.00.0000		10X45			5	0,000	
44	---	HEXAGON BOLT	1		00.00.0000		M6X10 ISO4017/8.8			3	0,000	
---	0636.015.032	HEXAGON BOLT	1		00.00.0000		M6X10			5	4	

VKF Incidence factor

OTK Optional technical kit

ID Identification (output code)

SP Supplier plant



Parts list
Page 1 from 1

Material number: 1346.002.062 6 S 1000 TO / KAMAZ PUBLIC JOINT STOCK COMPANY
Plant: 150.58.01-1
Material-assembly-group-no: 1346.158.004



Pos.	Material number	Name	VKF	Amend. no.	Amend. start	Prod. no.	Material feature / tech. info.	OTK	External material no.	ID	Weight	SP
10	1346.307.051	LOCKING PIN	1	C0100861 6E10	00.00.0000	00.00.0000	MGS LHD UND RHD			5	0,000	
20	---	RETAINING RING	1		00.00.0000		WTB -A= 1,35- 1,85(ABSTUFUNG:0,10MM)			3	0,000	
---	0730.501.805	RETAINING RING	1		00.00.0000		A=1,85			5	0,000	
---	0630.501.367	RETAINING RING	1		00.00.0000		20X1,75			5	0,000	
---	0630.501.368	RETAINING RING	1		00.00.0000		20X1,65			5	0,000	
---	0630.501.369	RETAINING RING	1		00.00.0000		20X1,55			5	0,000	
---	0630.501.376	RETAINING RING	1		00.00.0000		20X1,45			5	0,000	
---	0630.501.377	RETAINING RING	1		00.00.0000		20X1,35			5	0,000	
30	0732.042.991	COMPRSPRING	1		00.00.0000		RASTIERG.O.INT.SERVO 6G			5	0,000	
40	---	SCREW PLUG	1		00.00.0000		M30X1,5 *100N.M* DICHRING			3	0,000	
---	0636.302.066	SCREW PLUG	1		00.00.0000		M30X1,5			5	0,088	
---	0634.801.097	SEALING RING	1		00.00.0000		30X36			5	0,019	

VKF Incidence factor

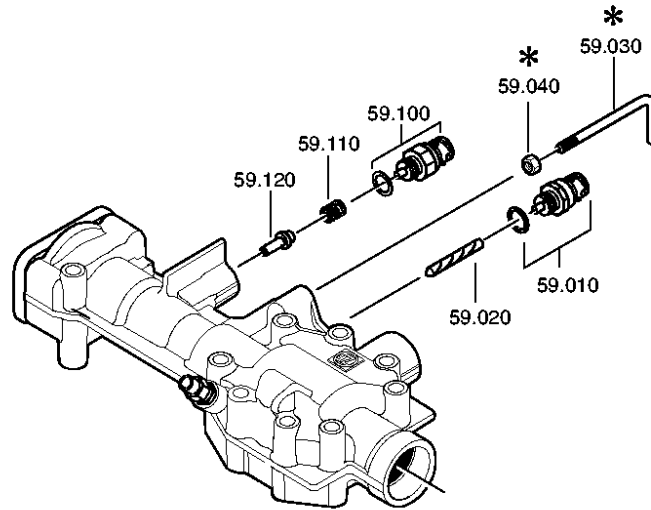
OTK Optional technical kit

ID Identification (output code)

SP Supplier plant

© All rights reserved by ZF Friedrichshafen AG, even in the event of applications for copyright. We hold all rights of disposal, such as the right to copy and disseminate. All rights reserved.
For information only, not subject to the amendment service.

07.10.2009



Parts list
Page 1 from 1

Material number: 1346.002.062 6 S 1000 TO / KAMAZ PUBLIC JOINT STOCK COMPANY
Plant: 150.59.03-1
Material-assembly-group-no: 1346.159.018



Pos.	Material number	Name	VKF	Amend. no.	Amend. start	Prod. no.	Material feature / tech. info.	OTK	External material no.	ID	Weight	SP
10	---	SWITCH	1		00.00.0000		OEF*45N.M*DICHTRING *BAJONETT			3	0,000	
---	0501.216.474	SWITCH	1		00.00.0000		KPL.			5	0,050	
---	0634.801.062	SEALING RING	1		00.00.0000		18X24			5	0,001	
20	0731.201.759	PIN	1		00.00.0000		ENTHALT.IN 0731 201 445(2)			5	0,000	
30	1316.307.022	BRACKET	1		00.00.0000					5	0,000	
40	0637.006.172	HEXAGON NUT	1		00.00.0000		M8			5	5	
100	---	SWITCH	1		00.00.0000		SCHL*45N.M*DICHTRING *BAJONETT			3	0,000	
---	0501.210.058	SWITCH	1		00.00.0000		KPL.			5	0,000	
---	0634.801.062	SEALING RING	1		00.00.0000		18X24			5	0,001	
110	0732.042.990	COMPRSPRING	1		00.00.0000					5	0,000	
120	1346.307.020	BOLT	1		00.00.0000					5	0,000	

VKF Incidence factor

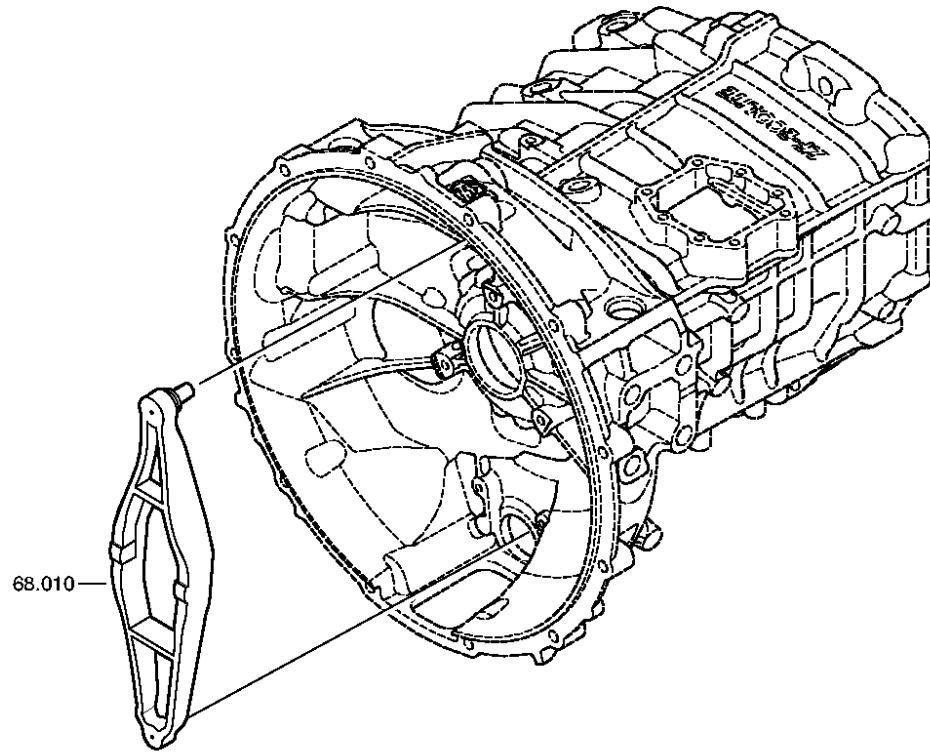
OTK Optional technical kit

ID Identification (output code)

SP Supplier plant

© All rights reserved by ZF Friedrichshafen AG, even in the event of applications for copyright. We hold all rights of disposal, such as the right to copy and disseminate. All rights reserved.
For information only, not subject to the amendment service.

07.10.2009





Pos.	Material number	Name	VKF	Amend. no.	Amend. start	Prod. no.	Material feature / tech. info.	OTK	External material no.	ID	Weight	SP
10	6060.268.030	RELEASE FORK	1		00.00.0000		KPL. I=2,05			3	0,000	
/10	6060.368.043	RELEASE FORK	1		00.00.0000		I=2,05			5	0,000	
/20	0501.324.061	BALL CUP	1		00.00.0000					5	0,000	
/30	0501.315.159	BALL CUP	1		00.00.0000		KS12-18-12			5	0,000	
76	0659.160.033	CABLE CLIP	1		00.00.0000					5	0,002	

VKF Incidence factor

OTK Optional technical kit

ID Identification (output code)

SP Supplier plant